



KitchenAid®

Food Processor

KFP1317

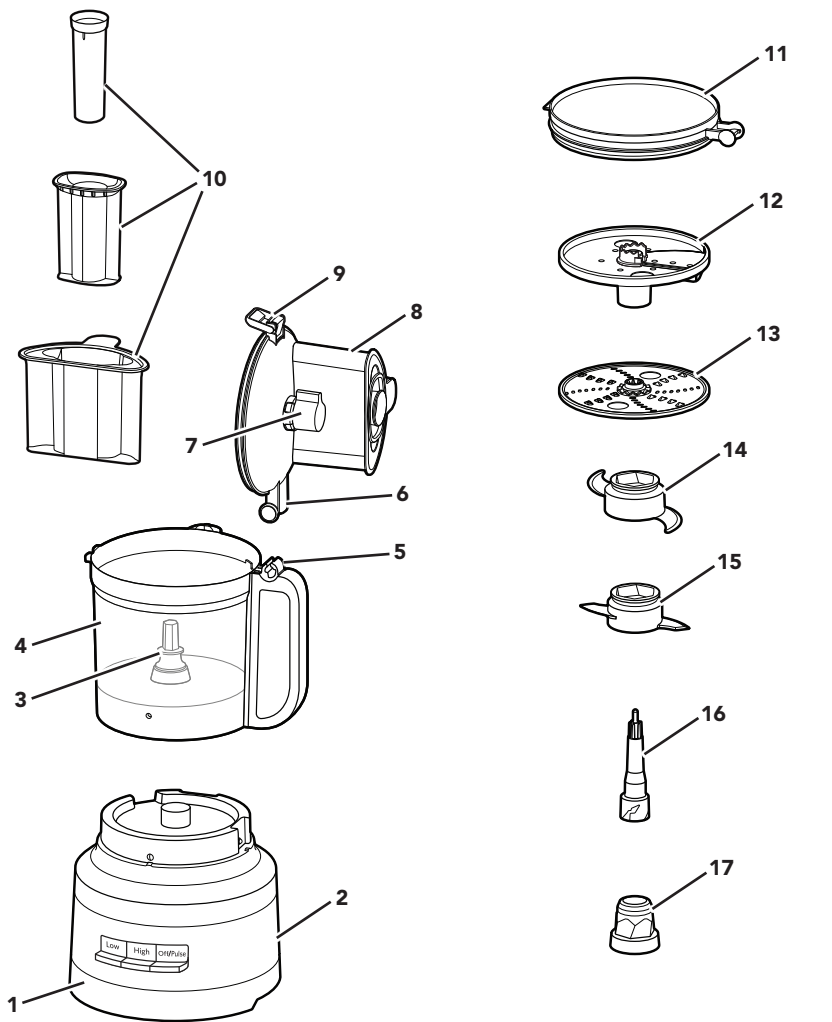
KFP1318

KFP1319





PARTS AND FEATURES

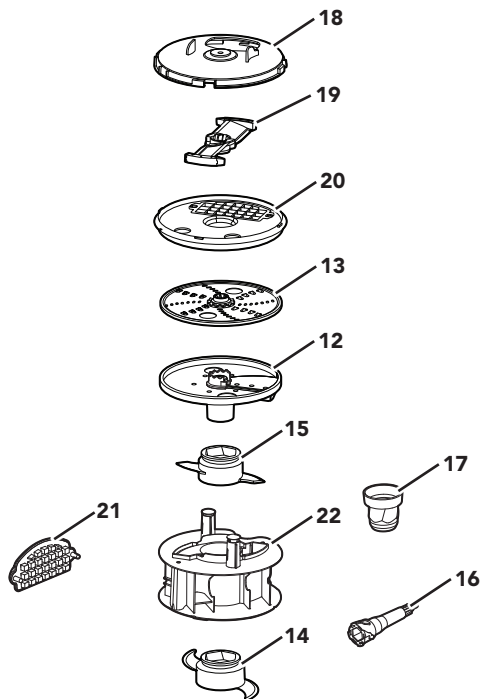


- | | |
|---|--|
| <ul style="list-style-type: none"> 1 Heavy-Duty Base 2 Power Cord and Cord Storage (not shown) 3 Drive Pin 4 13-Cup (3.1 L) Work Bowl 5 Handle Hinge 6 Lid Hinge 7 Slicing Knob 8 Work Bowl Cover with 3-in-1 Feed Tube 9 Lid Latch | <ul style="list-style-type: none"> 10 3-in-1 Food Pusher 11 Refrigerator Lid 12 Externally Adjustable Slicing Disc (thin to thick) 13 Reversible Fine/Medium Shredding Disc 14 Multipurpose Stainless Steel Blade 15 Dough Blade 16 Drive Adapter (Upper) 17 Drive Adapter (Lower) |
|---|--|





PARTS AND FEATURES



- 18** Dicing Kit Cover
- 19** Dicing Blade
- 20** Dicing Kit Base
- 21** Dicing Kit Clean Out Tool
- 22** Storage Caddy

ACCESSORY GUIDE

Accessory	Included with Model		
	KFP1319	KFP1318	KFP1317
External Adjustable Slice	•	•	•
Storage Caddy	•	•	•
Wide Mouth Opening	•	•	•
3-in-1 Feed Tube	•	•	•
Multipurpose Blade	•	•	•
Dough Blade	•	•	
Thin and Medium Shred	•	•	
Thin Shred			•
Storage Lid	•		
Dicing Kit	•		



PRODUCT SAFETY

Your safety and the safety of others are very important.

We have provided many important safety messages in this manual and on your appliance. Always read and obey all safety messages.



This is the safety alert symbol.

This symbol alerts you to potential hazards that can kill or hurt you and others.

All safety messages will follow the safety alert symbol and either the word "DANGER" or "WARNING." These words mean:

 **DANGER**

You can be killed or seriously injured if you don't immediately follow instructions.

 **WARNING**

You can be killed or seriously injured if you don't follow instructions.

All safety messages will tell you what the potential hazard is, tell you how to reduce the chance of injury, and tell you what can happen if the instructions are not followed.

IMPORTANT SAFEGUARDS

When using electrical appliances, basic safety precautions should always be followed, including the following:

1. Read all instructions.
2. To protect against risk of electrical shock, do not put Food Processor in water or other liquid.
3. This appliance is not intended for use by persons (including children) with reduced physical, sensory or mental capabilities, or lack of experience and knowledge, unless they are closely supervised and instructed concerning use of the appliance by a person responsible for their safety. Close supervision is necessary when any appliance is used by or near children. Children should be supervised to ensure that they do not play with appliance.
4. Turn the appliance OFF, then unplug from the outlet when not in use, before assembling, disassembling parts and before cleaning. To unplug, grasp the plug and pull from the outlet. Never pull from the Power Cord.
5. Avoid contacting moving parts.
6. Do not operate any appliance with a damaged cord or plug or after the appliance malfunctions, or is dropped or damaged in any manner. Contact the manufacturer at their customer service telephone number for information on examination, repair, or adjustment.
7. The use of attachments not recommended or sold by KitchenAid may cause fire, electric shock, or injury.
8. Do not use outdoors.
9. Do not let cord hang over edge of table or counter.
10. Keep hands and utensils away from moving Blades or discs while processing food to reduce the risk of severe injury to persons or damage to the Food Processor. A scraper may be used but must be used only when the Food Processor is not running.



PRODUCT SAFETY

11. Blades are sharp. Handle carefully.
12. To reduce the risk of injury, never place cutting Blade or discs on Base without first putting bowl properly in place.
13. Be certain Cover is securely locked in place before operating appliance.
14. Never feed food by hand. Always use the Food Pusher.
15. Do not attempt to defeat the Cover interlock mechanism.
16. Do not fill the bowl above the marked maximum fill line (or rated capacity) to avoid risk of injury due to damage to the Cover or bowl.

SAVE THESE INSTRUCTIONS

This product is designed for household use only.

ELECTRICAL REQUIREMENTS

Voltage: 120 VAC

Frequency: 60 Hz

NOTE: This Food Processor is equipped with a polarized plug (one Blade is wider than the other). To reduce the risk of electrical shock, this plug will fit in a polarized outlet only one way. If the plug does not fit fully in the outlet, reverse the plug. If it still does not fit, contact a qualified electrician. Do not modify the plug in any way.



ACCESSORIES SELECTION GUIDE

Action	Setting	Food	Accessory
Chop	Low or Pulse	Cheese Chocolate Fruits Fresh herbs	Multipurpose Stainless Steel Blade
Mince or Purée	High or Pulse	Nuts Tofu Vegetables	
Mix	Low	Pasta Sauce Pesto Salsa Sauces Batters	
Slice (thin to thick)	Low	Fruit (soft) Potatoes Tomatoes Vegetables (soft)	Externally Adjustable Slicing Disc
	High	Cheese Chocolate Fruit (hard) Vegetables (hard)	
Shred (fine to medium)	Low	Potatoes Vegetables (soft)	Reversible Fine/Medium Shredding Disc
	High	Cabbage Cheese Chocolate Fruits (hard) Vegetables (hard)	
Dice	Low	Potatoes Vegetables Fruit Cheese	Dicing Kit
Knead	Low	Yeast Dough	Dough Blade

FOR DETAILED INFORMATION ON USING THE FOOD PROCESSOR

Visit www.kitchenaid.com/quickstart for additional instructions with videos, inspiring recipes, and tips on how to use your Food Processor.



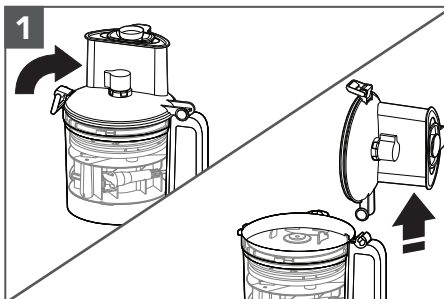


PRODUCT ASSEMBLY

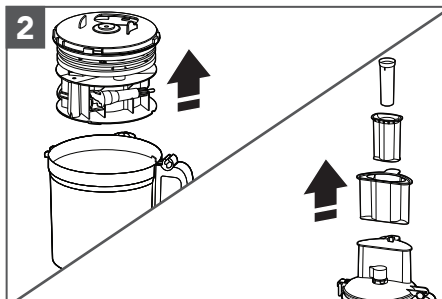
Before first use

Before using your Food Processor for the first time, wash all parts and accessories either by hand or in the dishwasher (see "Care and Cleaning" section).

NOTE: Your Food Processor is designed so that all accessories may be stored inside the Work Bowl.

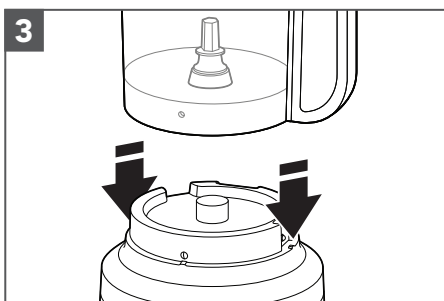


1 Lift up the Lid Latch to unlock the Cover. Tilt the Work Bowl Cover back and lift it straight up so that the Lid Hinge pulls out of the Handle Hinge.

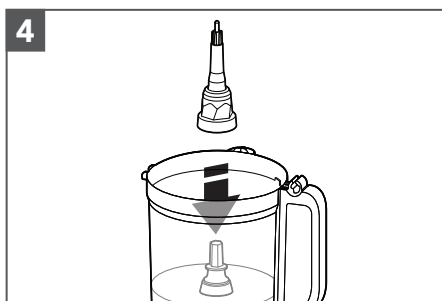


2 Remove all parts and accessories from the Work Bowl, and lift the Food Pusher out of the Feed Tube.

IMPORTANT: Place the Food Processor on a dry, level countertop with the controls facing forward. Do not plug in the Food Processor until it is completely assembled.



3 Place the Work Bowl on the Base, aligning the Handle with the raised button on the right side of the Base. The bowl will click into place and should be flush against the Base when properly aligned.



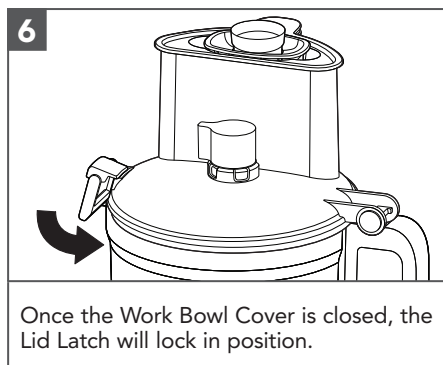
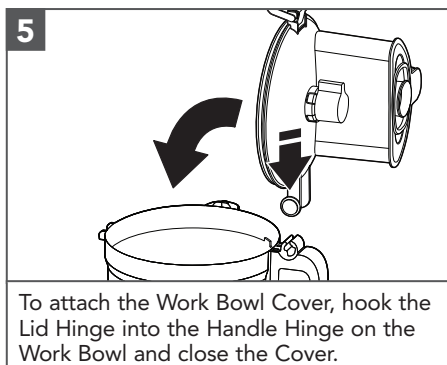
4 Place the Drive Adapter in the Work Bowl, lowering it onto the Drive Pin.





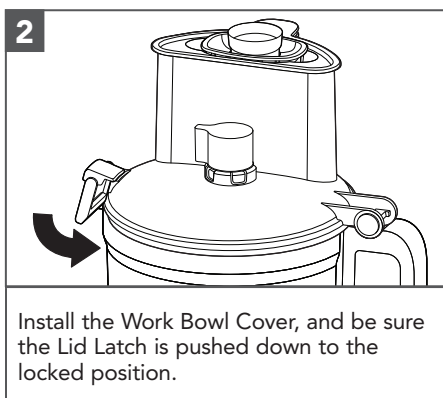
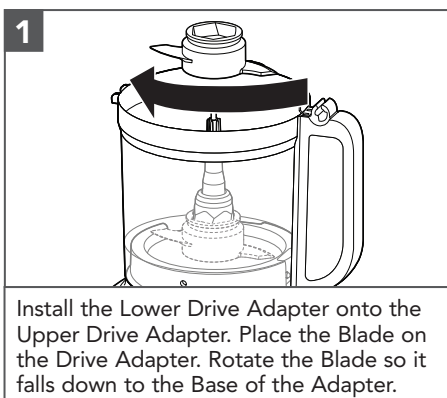
PRODUCT ASSEMBLY

NOTE: For ease of assembly, install the desired Blade or Disc before attaching the Work Bowl Cover.



NOTE: Your Food Processor will not operate unless the Work Bowl Cover is fully closed, the large Food Pusher is in place, and the Work Bowl is properly seated on the Base.

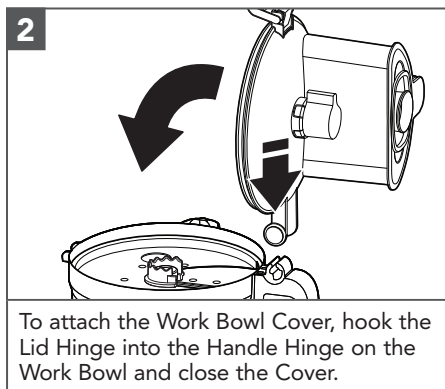
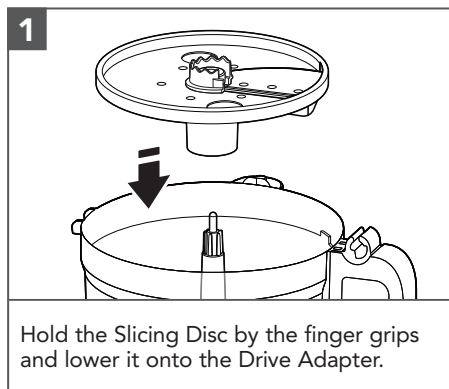
INSTALLING THE MULTIPURPOSE BLADE OR DOUGH BLADE



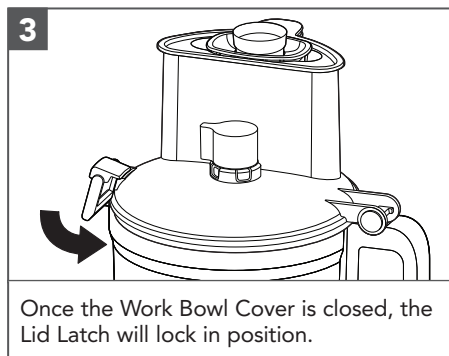


PRODUCT ASSEMBLY

INSTALLING THE EXTERNALLY ADJUSTABLE SLICING DISC

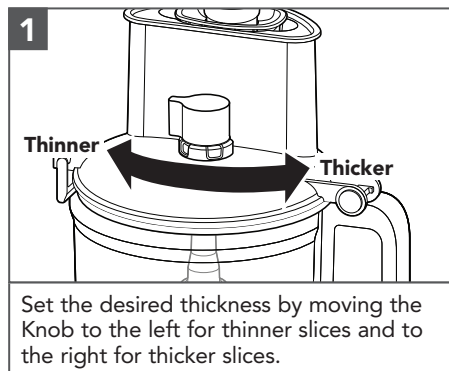


TIP: You may need to adjust the Drive Adapter with a slight turn on the power shaft until it drops into place. For easiest installation, make sure the Adjustment Knob is in the "0" position.



NOTE: Your Food Processor will not operate unless the Work Bowl Cover is fully closed and the Work Bowl is properly seated on the Base.

ADJUSTING THE SLICING THICKNESS



NOTE: The Knob only works with the Externally Adjustable Slicing Disc. Changing thickness settings with other discs or Blades installed will have no effect on operation.





PRODUCT ASSEMBLY

INSTALLING THE DICING KIT

1

With the Work Bowl removed from the Base, place Dicing Kit Base, Blade, and Cover in the Work Bowl.

2

Align Dicing Kit Cover with wide mouth feed shoot.

3

Place the Work Bowl Cover on the Work Bowl. Take small and/or medium Feed Tube. Insert food to dice.

4

After dicing, remove the Work Bowl Cover, Dicing Kit Cover and Dicing Blade, then insert the Dicing Kit Clean Out Tool into the Dicing Kit Base and push any extra food through the grid.

PRODUCT USAGE

! WARNING

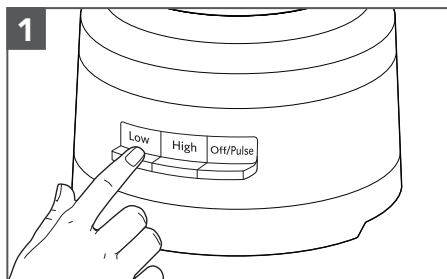
Rotating Blade Hazard
Always use food pusher.
Keep fingers out of openings.
Keep away from children.
Failure to do so can result in amputation or cuts.

Before operating the Food Processor, be sure the Work Bowl, Blades/Disc, and Work Bowl Cover are properly assembled on the Base (see the "Product Assembly" section).





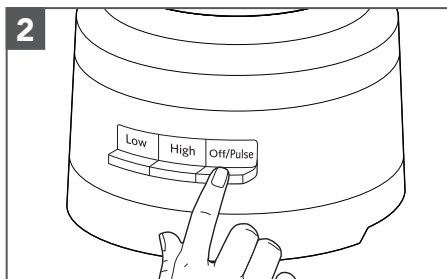
PRODUCT USAGE



1

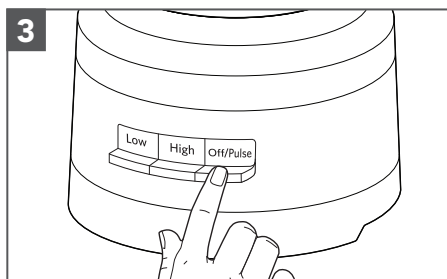
To turn on, press Low or High. The Food Processor will run continuously and the indicator light will glow.

To turn off, press Low or High again, or press Off/Pulse.



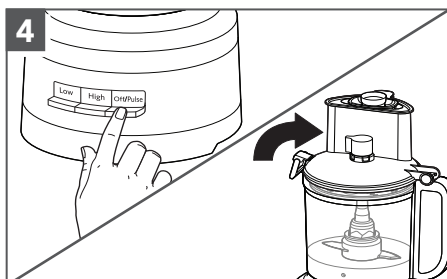
2

To use the Pulse function:
Press Off/Pulse for short bursts, or press and hold for longer bursts. The Pulse function runs at high speed only. The Food Processor will turn off when the Off/Pulse button is released.



3

When finished, press the Off/Pulse button. The indicator light will go out and the Blade or Disc will slow to a stop.



4

Wait until the Blade or disc comes to a complete stop before removing the Work Bowl Cover. Be sure to turn off the Food Processor before removing the Work Bowl Cover, or before unplugging the Food Processor.

USING THE 3-IN-1 FEED TUBE

The 3-in-1 Feed Tube features a 3-piece Food Pusher.

Use the entire Feed Tube and the large Food Pusher to process large items.

NOTE: The unit will not start if food is loaded in the large Feed Tube above the max fill line.

Use the medium Food Pusher in the Feed Tube to process smaller items.

Use the small Food Pusher to slice or shred the smallest, thinnest items.

Use the drizzle hole in the small Food Pusher to slowly drizzle oil or other liquid ingredients into the Work Bowl.



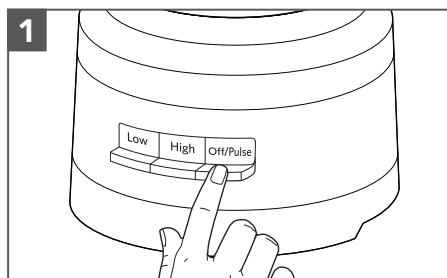
3-Piece Food Pusher



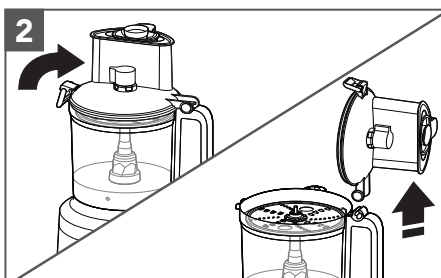


PRODUCT DISASSEMBLY

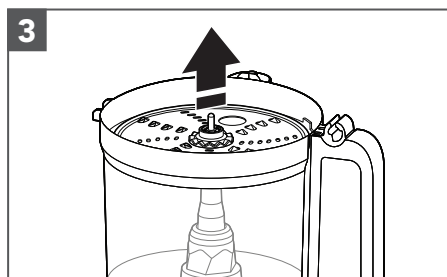
REMOVING PROCESSED FOODS



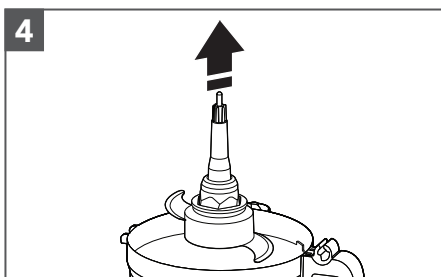
1 Turn the Food Processor off: Press the Off/Pulse button and unplug the Food Processor before disassembling.



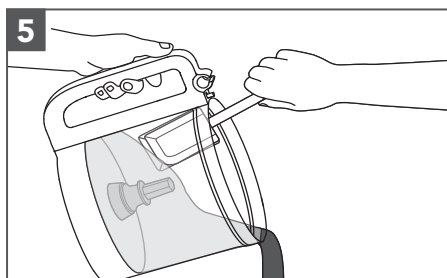
2 Lift the Lid Latch to unlock the Work Bowl Cover, then lift the Cover to remove.



3 If using the disc, remove it before removing the bowl. Holding the disc by the finger holes, lift it straight up.



4 Remove the Drive Adapter and Multipurpose Blade, if using. The Blade will stay in place on the Drive Adapter when you remove the Adapter.



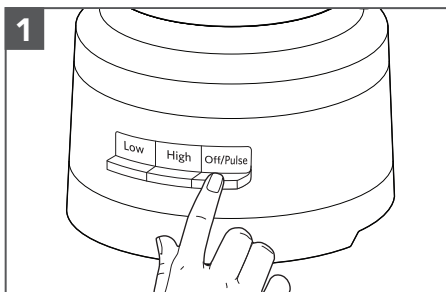
5 Lift the Work Bowl off of the Base to remove food from the bowl with a spatula.



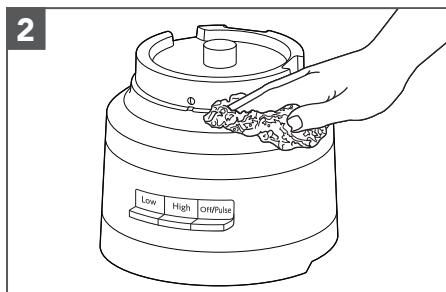


CARE AND CLEANING

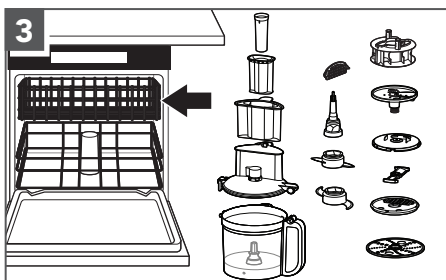
IMPORTANT: The BPA-free bowl requires special handling. If you choose to use a dishwasher instead of hand washing, please follow these guidelines.



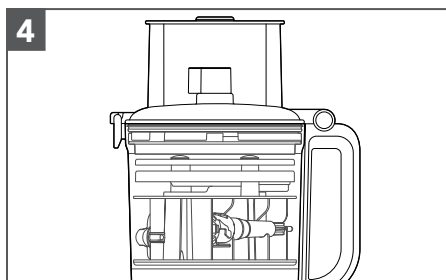
Press the Off/Pulse button, then unplug the Food Processor before cleaning.



Wipe the Base and cord with a warm, damp cloth. Thoroughly dry with a soft cloth. Do not use abrasive cleaners or scouring pads. Do not immerse Base in water or other liquid.



All parts are top rack dishwasher safe. Avoid laying the bowl on its side. Thoroughly dry all parts after washing. Use gentle dishwashing cycles such as normal. Avoid high-temperature cycles.



You can store up to two Blades and three discs as well as the Drive Adapter inside the Work Bowl by using the in bowl Storage Caddy when the Food Processor is not in use. Wrap the Power Cord around the Cord Storage on the bottom of the Base, then secure the plug by clipping it to the housing.

NOTE: If washing the Food Processor parts by hand, avoid the use of abrasive cleansers or scouring pads. They may scratch or cloud the Work Bowl and Cover.





TROUBLESHOOTING GUIDE

Problem	Solution
If your Food Processor should malfunction or fail to operate, check the following:	Check to see if the Food Processor is securely plugged into a grounded electrical outlet.
	Make sure that the Bowl and Lid are properly aligned and locked in place.
	Have you pressed more than one button at the same time?
	Unplug the Food Processor, then plug it back into the outlet.
Is the fuse in the circuit to the Food Processor in working order?	If you have a circuit breaker box, be sure the circuit is closed.
The Food Processor may need to cool to room temperature:	If the speed light turns off and the Off/Pulse light flashes, wait until the Off/Pulse light turns off and retry. The Food Processor may take from 5-15 minutes to cool completely.
The motor may be locked:	If the speed light stays on while the Off/Pulse light flashes, press the Off/Pulse button to reset the motor.
Food Processor not shredding or slicing properly:	Make sure the raised-Blade side of the disc is positioned face up on the Drive Adapter.
	Make sure ingredients are suitable for slicing or shredding.
	Make sure the disc is positioned in the process position (near the top of the bowl), and not the storage position (low and inside of the bowl).
If the Work Bowl Cover won't close when using the disc:	Make sure the disc is installed correctly, and is positioned properly on the Drive Adapter.
If the problem cannot be corrected:	See the "Warranty and Service" sections. Do not return the Food Processor to the retailer. Retailers do not provide service.






WARRANTY AND SERVICE

KITCHENAID® FOOD PROCESSOR WARRANTY FOR THE 50 UNITED STATES, THE DISTRICT OF COLUMBIA, PUERTO RICO, AND CANADA

This warranty extends to the purchaser and any succeeding owner for Food Processors operated in the 50 United States, the District of Columbia, Puerto Rico, and Canada.

Length of Warranty:	One Year Full Warranty from date of purchase.
KitchenAid Will Pay for Your Choice of: 	Hassle-Free Replacement of your Food Processor. See the next page for details on how to arrange for service, or call the Customer eXperience Center toll-free at 1-800-541-6390 . OR The replacement parts and repair labor costs to correct defects in materials and workmanship. Service must be provided by an Authorized KitchenAid Service Center.
KitchenAid Will Not Pay for:	<ul style="list-style-type: none"> A. Repairs when your Food Processor is used in other than normal single family home use. B. Damage resulting from accident, alteration, misuse or abuse. C. Any shipping or handling costs to deliver your Food Processor to an Authorized Service Center. D. Replacement parts or repair labor costs for Food Processor operated outside the 50 United States, District of Columbia, Puerto Rico, and Canada.
<p>DISCLAIMER OF IMPLIED WARRANTIES; LIMITATION OF REMEDIES</p> <p>IMPLIED WARRANTIES, INCLUDING TO THE EXTENT APPLICABLE WARRANTIES OF MERCHANTABILITY OR FITNESS FOR A PARTICULAR PURPOSE, ARE EXCLUDED TO THE EXTENT LEGALLY PERMISSIBLE. ANY IMPLIED WARRANTIES THAT MAY BE IMPOSED BY LAW ARE LIMITED TO ONE YEAR, OR THE SHORTEST PERIOD ALLOWED BY LAW. SOME STATES AND PROVINCES DO NOT ALLOW LIMITATIONS OR EXCLUSIONS ON HOW LONG AN IMPLIED WARRANTY OF MERCHANTABILITY OR FITNESS LASTS, SO THE ABOVE LIMITATIONS OR EXCLUSIONS MAY NOT APPLY TO YOU.</p> <p>IF THIS PRODUCT FAILS TO WORK AS WARRANTED, CUSTOMER'S SOLE AND EXCLUSIVE REMEDY SHALL BE REPAIR OR REPLACEMENT ACCORDING TO THE TERMS OF THIS LIMITED WARRANTY. KITCHENAID AND KITCHENAID CANADA DO NOT ASSUME ANY RESPONSIBILITY FOR INCIDENTAL OR CONSEQUENTIAL DAMAGES. This warranty gives you specific legal rights and you may also have other rights which vary from state to state or province to province.</p>	





WARRANTY AND SERVICE

HASSLE-FREE REPLACEMENT WARRANTY – 50 UNITED STATES, DISTRICT OF COLUMBIA, AND PUERTO RICO

We're so confident the quality of our products meets the exacting standards of KitchenAid that, if your Food Processor should fail within the first year of ownership, KitchenAid will arrange to deliver an identical or comparable replacement to your door free of charge and arrange to have your original Food Processor returned to us. Your replacement unit will also be Covered by our one year limited warranty.

If your Food Processor should fail within the first year of ownership, simply call

our toll-free Customer eXperience Center at **1-800-541-6390** Monday through Friday. Please have your original sales receipt available when you call. Proof of purchase will be required to initiate the claim. Give the consultant your complete shipping address (no P.O. Box numbers, please).

When you receive your replacement Food Processor, use the carton, packing materials, and prepaid shipping label to pack up your original Food Processor and send it back to KitchenAid.

HASSLE-FREE REPLACEMENT WARRANTY – CANADA

We're so confident the quality of our products meets the exacting standards of the KitchenAid brand that, if your Food Processor should fail within the first year of ownership, we will replace your Food Processor with an identical or comparable replacement. Your replacement unit will also be Covered by our one year limited warranty.

If your Food Processor should fail within the first year of ownership, simply call our toll-free Customer eXperience

Center at **1-800-807-6777** Monday through Friday. Please have your original sales receipt available when you call. Proof of purchase will be required to initiate the claim. Give the consultant your complete shipping address.

When you receive your replacement Food Processor, use the carton, packing materials, and prepaid shipping label to pack up your original Food Processor and send it back to KitchenAid.

ARRANGING FOR SERVICE AFTER THE WARRANTY EXPIRES, OR ORDERING ACCESSORIES AND REPLACEMENT PARTS

In the United States and Puerto Rico:

For service information, or to order accessories or replacement parts, call toll-free at **1-800-541-6390** or write to: Customer eXperience Center, KitchenAid Small Appliances, P.O. Box 218, St. Joseph, MI 49085-0218

Outside the United States and Puerto Rico:

Consult your local KitchenAid dealer or the store where you purchased the Food Processor for information on how to obtain service.

For service information in Canada:

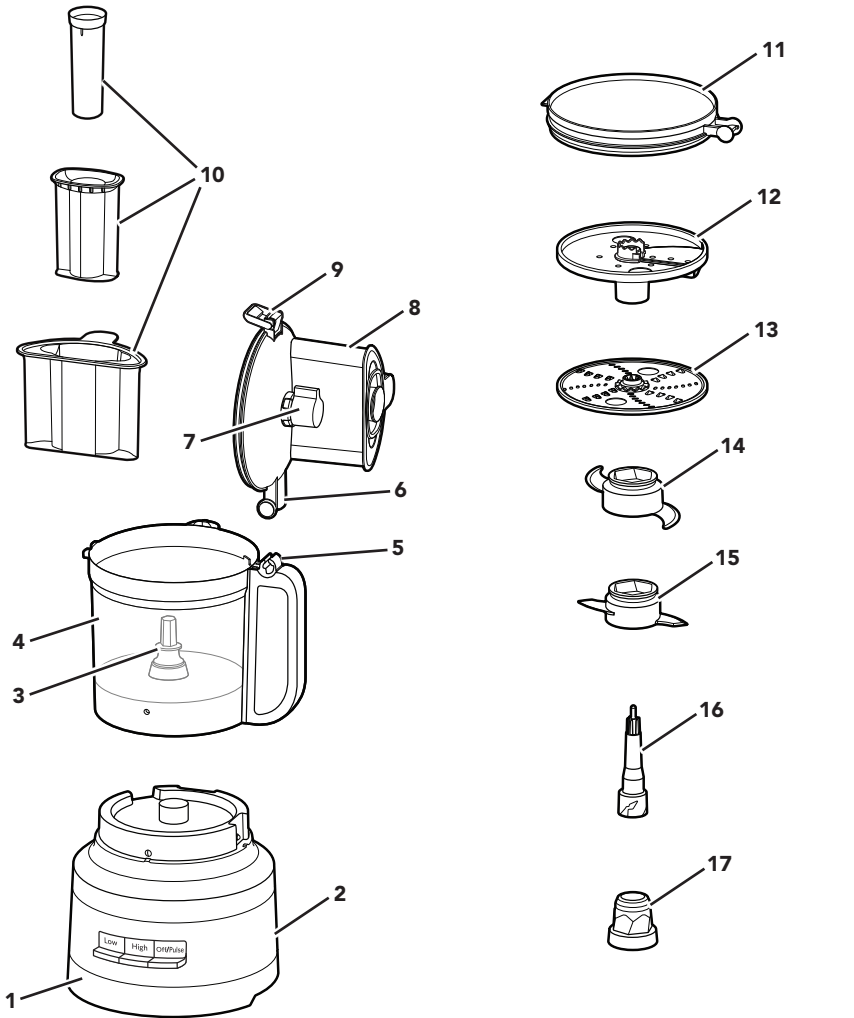
Call toll-free **1-800-807-6777**.

For service information in Mexico:

Call toll-free **01-800-0022-767**.



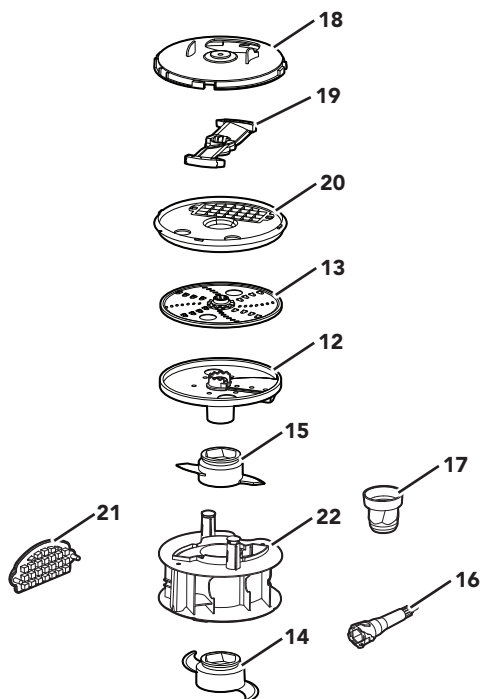
PIÈCES ET CARACTÉRISTIQUES



- | | |
|---|---|
| <p>1 Base robuste</p> <p>2 Cordon d'alimentation et range-cordon (non illustré)</p> <p>3 Axe d'entraînement</p> <p>4 Bol de préparation de 13 tasses (3,1 L)</p> <p>5 Charnière de la poignée</p> <p>6 Charnière du couvercle</p> <p>7 Bouton de tranchage</p> <p>8 Couvercle du bol d'alimentation avec goulotte d'alimentation 3 en 1</p> <p>9 Loquet du couvercle</p> | <p>10 Poussoir alimentaire 3 en 1</p> <p>11 Couvercle pour réfrigération</p> <p>12 Disque à trancher avec système de réglage externe (tranchage fin à épais)</p> <p>13 Disque déchiqueteur réversible pour couper moyennement ou finement</p> <p>14 Lame polyvalente en acier inoxydable</p> <p>15 Lame à pétrissage</p> <p>16 Tige d'entraînement</p> <p>17 Axe d'entraînement</p> |
|---|---|



PIÈCES ET CARACTÉRISTIQUES



- | | |
|---|---|
| <p>18 Couvercle de l'ensemble de tranchage en dés</p> <p>19 Lame de tranchage en dés</p> <p>20 Socle de l'ensemble de tranchage en dés</p> | <p>21 Outil de nettoyage de l'ensemble de tranchage en dés</p> <p>22 Boîtier de rangement</p> |
|---|---|

GUIDE D'ACCESSOIRES

Accessoire	Inclus avec le modèle		
	KFP1319	KFP1318	KFP1317
Ajustement externe de l'épaisseur des tranches	●	●	●
Boîtier de rangement	●	●	●
Ouverture à large embout	●	●	●
Goulotte d'alimentation 3 en 1	●	●	●
Lame polyvalente	●	●	●
Lame à pétrissage	●	●	
Râper fin et moyen	●	●	
Râper fin			●
Couvercle de rangement	●		
Ensemble de tranchage en dés	●		



SÉCURITÉ DU PRODUIT

Votre sécurité et celle des autres est très importante.

Nous donnons de nombreux messages de sécurité importants dans ce manuel et sur votre appareil ménager. Assurez-vous de toujours lire tous les messages de sécurité et de vous y conformer.



Voici le symbole d'alerte de sécurité.

Ce symbole d'alerte de sécurité vous signale les dangers potentiels de décès et de blessures graves à vous et à d'autres.

Tous les messages de sécurité suivront le symbole d'alerte de sécurité et le mot "DANGER" ou "AVERTISSEMENT".
Ces mots signifient :

⚠ DANGER

Risque possible de décès ou de blessure grave si vous ne suivez pas immédiatement les instructions.

⚠ AVERTISSEMENT

Risque possible de décès ou de blessure grave si vous ne suivez pas les instructions.

Tous les messages de sécurité vous diront quel est le danger potentiel et vous disent comment réduire le risque de blessure et ce qui peut se produire en cas de non-respect des instructions.

FRANÇAIS

IMPORTANTES MESURES DE PROTECTION

Lors de l'utilisation d'appareils électriques, certaines précautions élémentaires de sécurité doivent toujours être observées, incluant les suivantes :

1. Lire toutes les instructions.
2. Pour éviter tout risque de choc électrique, ne pas immerger le robot culinaire dans de l'eau ou tout autre liquide.
3. Cet appareil ne convient pas à une utilisation par des personnes (y compris des enfants) à capacités physiques, sensorielles ou mentales réduites, ou possédant un manque d'expérience et de connaissances, à moins qu'elles ne soient placées sous supervision ou qu'elles aient reçu des instructions concernant l'utilisation de l'appareil par une personne responsable de leur sécurité. Une surveillance attentive s'impose lorsqu'un appareil ménager est utilisé par ou à proximité d'enfants. Les enfants doivent être surveillés afin de s'assurer qu'ils ne jouent pas avec l'appareil.
4. S'assurer que l'appareil est éteint et débranché de la prise murale lorsqu'il n'est pas utilisé, avant d'y ajouter des pièces ou d'en enlever et avant de la nettoyer. Pour débrancher, saisir la fiche et la retirer de la prise. Ne pas tirer sur le cordon d'alimentation.
5. Éviter tout contact avec les pièces mobiles.
6. Ne pas faire fonctionner un appareil si la prise ou le cordon est endommagé, si l'appareil ne fonctionne pas correctement, s'il tombe ou s'il est endommagé d'une quelconque façon. Communiquer par téléphone avec le service à la clientèle du fabricant pour obtenir des renseignements sur la vérification, la réparation et le réglage de l'appareil.
7. L'utilisation d'accessoires non recommandés ou non vendus par KitchenAid peut causer un incendie, une décharge électrique ou des blessures.
8. Ne pas utiliser à l'extérieur.



SÉCURITÉ DU PRODUIT

9. Ne pas laisser le cordon pendre par-dessus le bord d'une table ou d'un comptoir.
10. Garder les mains et les ustensiles à l'écart des lames ou disques lors de la préparation des aliments pour éviter toute blessure corporelle grave ou dommage au robot culinaire. On peut utiliser un grattoir, mais il doit être employé uniquement lorsque le robot culinaire ne fonctionne pas.
11. Les lames sont tranchantes. Manipuler avec précaution.
12. Pour réduire le risque de blessure, ne jamais placer la lame ou les disques sur la base sans installer correctement le bol au préalable.
13. S'assurer que le couvercle est bien verrouillé avant de faire fonctionner l'appareil.
14. Ne jamais introduire les aliments à la main. Toujours utiliser le poussoir pour introduire les aliments.
15. Ne pas tenter d'outrepasser le dispositif de verrouillage du couvercle.
16. Ne pas remplir le bol au-dessus de la ligne de remplissage maximale marquée (ou de la capacité nominale) afin d'éviter tout risque de blessure en cas d'endommagement du couvercle ou du bol.

CONSERVER CES INSTRUCTIONS

Ce produit est conçu uniquement pour un usage domestique.

SPÉCIFICATIONS ÉLECTRIQUES

Tension : 120 V CA

Fréquence : 60 Hz

REMARQUE : Ce robot culinaire comporte une fiche polarisée (avec une lame plus large que l'autre). Pour réduire le risque de décharge électrique, cette fiche ne peut être insérée dans une prise que dans un seul sens. Si la fiche ne s'enfonce pas complètement dans la prise, inverser la fiche. Si la fiche ne s'introduit toujours pas, appeler un électricien qualifié. Ne pas modifier la fiche de quelque manière que ce soit.





GUIDE DE SÉLECTION DES ACCESSOIRES

Mesures	Réglage	Aliment	Accessoire
Hacher	Low (basse) ou Pulse (impulsion)	Fromage Chocolat Fruits Fines herbes	Lame polyvalente en acier inoxydable
Hacher ou réduire en purée	High (élevée) ou Pulse (impulsion)	Noix Tofu Légumes	
Mélanger	Low (basse)	Sauce bolognaise Pesto Salsa Sauces Pâtes	
Trancher (mince ou épais)	Low (basse)	Fruits (mous) Pommes de terre Tomates Légumes (mous)	Commande externe du disque à trancher réglable
	High (élevée)	Fromage Chocolat Fruits (durs) Légumes (durs)	
Couper en lanières (fines ou moyennes)	Low (basse)	Pommes de terre Légumes (mous)	Disque déchiqueteur réversible pour couper moyennement ou finement
	High (élevée)	Choux Fromage Chocolat Fruits (durs) Légumes (durs)	
Trancher en dés	Low (basse)	Pommes de terre Légumes Fruit Fromage	Ensemble de tranchage en dés
Pétrir	Low (basse)	Levure Pâte	Lame à pétrissage

FRANÇAIS

POUR OBTENIR DES INFORMATIONS DÉTAILLÉES SUR L'UTILISATION DU ROBOT CULINAIRE :

Visiter le site www.kitchenaid.com/quickstart pour des instructions supplémentaires avec vidéos, des recettes qui inspirent et des conseils sur la façon d'utiliser le robot culinaire.



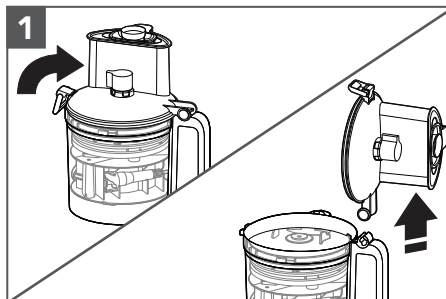


ASSEMBLAGE DU PRODUIT

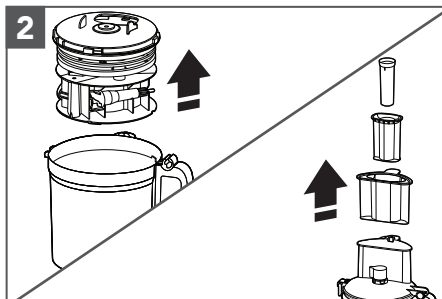
Avant la première utilisation

Avant d'utiliser le robot culinaire pour la première fois, laver toutes les pièces et accessoires à la main ou au lave-vaisselle (voir « Nettoyage du robot culinaire »).

REMARQUE : Ce robot culinaire est conçu pour que tous les accessoires puissent être rangés à l'intérieur du bol.

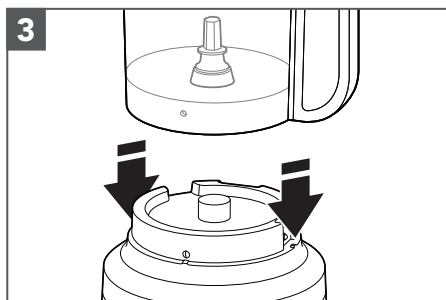


1 Soulever le loquet du couvercle pour déverrouiller le couvercle. Incliner le couvercle du bol vers l'arrière et le soulever vers le haut pour que la charnière du couvercle sorte de la charnière de la poignée.

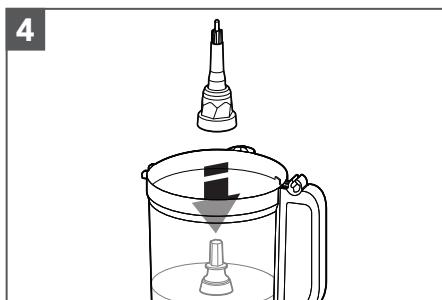


2 Retirer tous les pièces et accessoires du bol et sortir le poussoir de la goulotte d'alimentation.

IMPORTANT : Placer le robot culinaire sur un comptoir sec et de niveau avec les commandes face à soi. Ne pas brancher le robot culinaire avant qu'il ne soit entièrement assemblé.



3 Placer le bol sur la base en alignant la poignée avec le bouton surélevé du côté droit de la base. Le bol s'enclenche et doit être en affleurement avec la base lorsqu'il est correctement aligné.



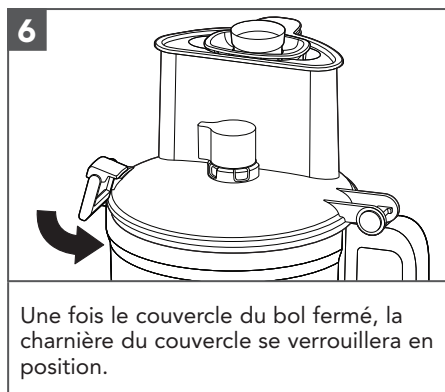
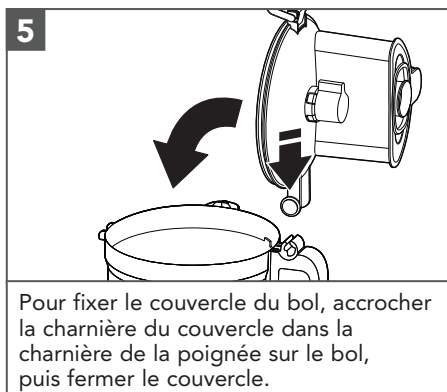
4 Placer la tige d'entraînement dans le bol en l'abaissant sur l'axe d'entraînement.





ASSEMBLAGE DU PRODUIT

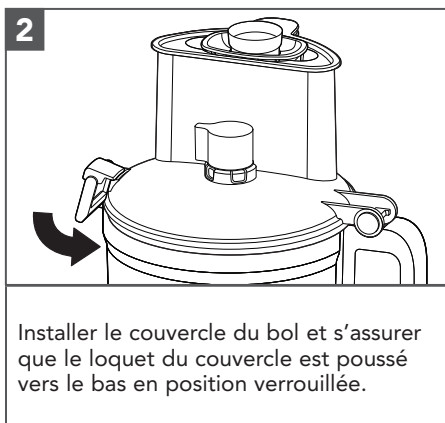
REMARQUE : Pour faciliter l'assemblage, installer la lame ou le disque désiré avant de fixer le couvercle du bol.



FRANÇAIS

REMARQUE : Le robot culinaire ne fonctionnera pas à moins que le couvercle du bol soit complètement fermé, que le grand poussoir est en place et que le bol est bien en place sur la base.

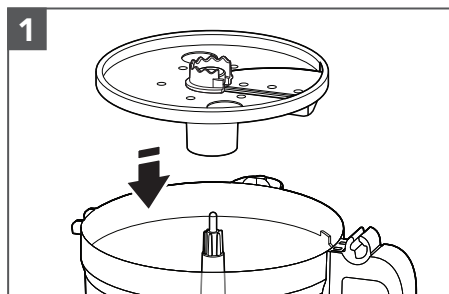
MONTAGE DE LA LAME POLYVALENTE OU DE LA LAME DE PÉTRISSAGE



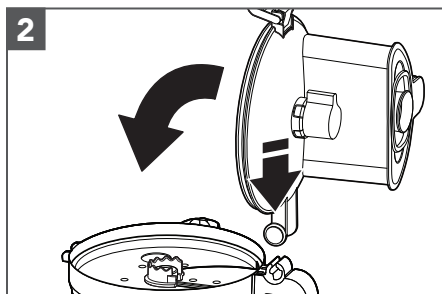


ASSEMBLAGE DU PRODUIT

ASSEMBLAGE DU DISQUE À TRANCHER RÉGLABLE DE L'EXTÉRIEUR

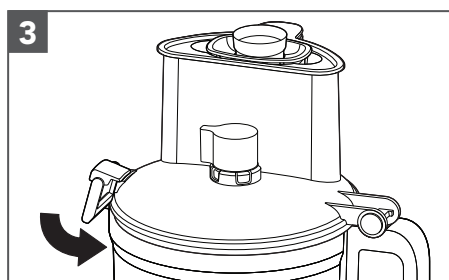


1
Tenir le disque à découper par les prises pour doigts et l'abaisser sur la tige d'entraînement.



2
Pour fixer le couvercle du bol, accrocher la charnière du couvercle dans la charnière de la poignée sur le bol, puis fermer le couvercle.

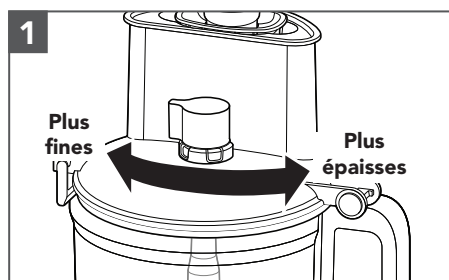
ASTUCE : Il faudra peut-être régler la tige d'entraînement en faisant légèrement tourner l'axe du socle jusqu'à ce qu'elle soit bien positionnée. Pour faciliter l'installation, s'assurer que le bouton de réglage est à la position « 0 ».



3
Une fois le couvercle du bol fermé, la charnière du couvercle se verrouillera en position.

REMARQUE : Le robot culinaire ne fonctionnera pas à moins que le couvercle du bol soit complètement fermé et que le bol est bien en place sur la base.

RÉGLAGE DE L'ÉPAISSEUR DE TRANCHAGE



1
Régler l'épaisseur souhaitée des tranches en déplaçant le bouton vers la gauche pour des tranches plus fines et vers la droite pour des tranches plus épaisses.

REMARQUE : Le bouton ne fonctionne qu'avec le disque de tranchage réglable de l'extérieur. Le fait de modifier les réglages d'épaisseur des autres disques/râpes ou lames installées sur l'appareil n'aura pas d'impact sur le fonctionnement.

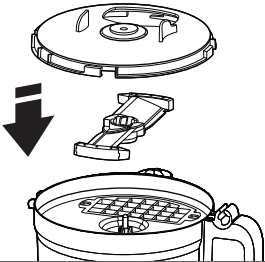




ASSEMBLAGE DU PRODUIT

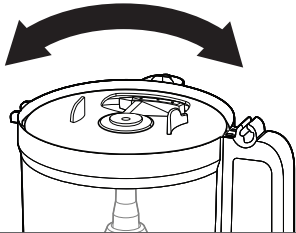
INSTALLATION DE L'ENSEMBLE DE TRANCHAGE EN DÉS

1



Une fois le bol enlevé de la base, placez le socle de l'ensemble de tranchage, la lame et le couvercle dans le bol.

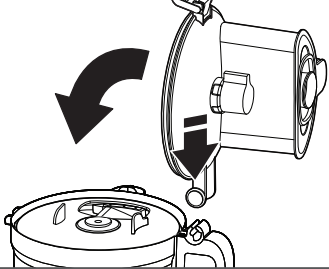
2



Aligner le couvercle de l'ensemble de tranchage en dés avec la goulotte d'alimentation.

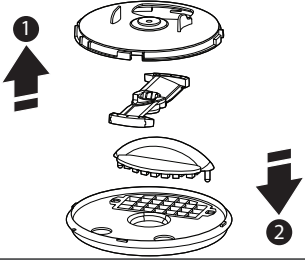
FRANÇAIS

3



Placer le couvercle de bol sur le bol de préparation. Utiliser la grande ou petite ouverture de la goulotte d'alimentation. Insérer les aliments pour les faire trancher en dés.

4



Une fois le tranchage en dés effectué, retirer le couvercle du bol de préparation, le couvercle de l'ensemble de tranchage en dés et la lame de tranchage en dés, et placer l'outil de nettoyage de l'ensemble de tranchage en dés dans le socle de l'ensemble et pousser tout aliment supplémentaire à travers la grille.





UTILISATION DU PRODUIT

⚠ AVERTISSEMENT



Danger avec la lame rotative

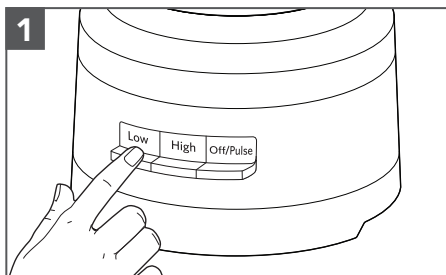
Toujours utiliser un poussoir pour introduire les aliments.

Ne pas approcher les doigts des ouvertures.

Conserver hors de portée des enfants.

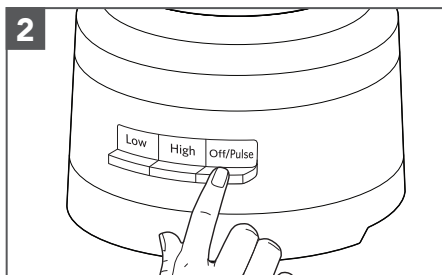
Le non-respect de ces instructions peut causer une amputation ou des coupures.

Avant d'utiliser le robot culinaire, s'assurer que le bol du robot, les lames/disques et le couvercle du bol sont correctement assemblés sur la base (voir la section « Assemblage du produit »).



Pour mettre en marche, appuyer sur LOW (base) ou HIGH (élevée). Le robot culinaire fonctionnera sans s'arrêter et le témoin lumineux s'allume.

Pour l'éteindre, appuyer de nouveau sur Low (basse) ou High (élevée) ou appuyer sur Off/Pulse (arrêt/impulsion).



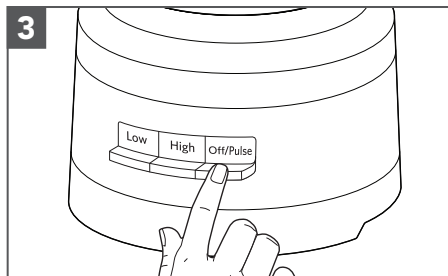
Utilisation de la fonction d'impulsion :

Appuyer sur le bouton Off/Pulse (arrêt/impulsion) pour mixer par courtes impulsions ou l'appuyer et le maintenir enfoncé pour mixer par impulsions plus longues. La fonction Pulse (impulsion) fonctionne uniquement à grande vitesse. Le robot culinaire s'éteint lorsque le bouton Off/Pulse (arrêt/impulsion) est relâché.

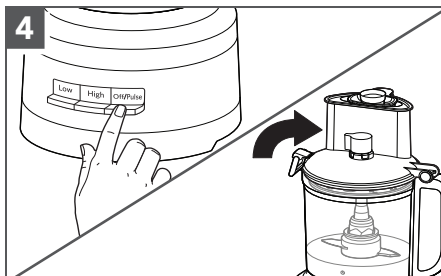




UTILISATION DU PRODUIT



3
Après avoir terminé, appuyer sur le bouton Off/Pulse (arrêt/impulsion). Le témoin lumineux s'éteindra et la lame ou le disque ralentira jusqu'à l'arrêt.



4
Attendre que le disque ou la lame soit complètement arrêté(e) avant d'ôter le couvercle du bol de préparation. Veiller à éteindre le robot culinaire avant de retirer le couvercle du bol de préparation ou de le débrancher.

FRANÇAIS

UTILISATION DE LA GOULOTTE D'ALIMENTATION 3 EN 1

La goulotte d'alimentation 3 en 1 comprend un poussoir à 3 pièces.

Utiliser toute la goulotte d'alimentation ainsi que le poussoir alimentaire de grande taille pour mélanger les aliments de grande taille.

REMARQUE : L'appareil ne démarrera pas si les aliments sont chargés dans le grand tube d'alimentation au-dessus de la ligne de remplissage maximum.

Utiliser le poussoir alimentaire de taille moyenne dans la goulotte d'alimentation pour traiter des aliments plus petits.

Utiliser le poussoir alimentaire de petite taille pour trancher ou broyer les articles les plus petits/fins.

Pour arroser lentement la préparation d'huile ou d'autres ingrédients liquides dans le bol de travail, utiliser l'orifice d'arrosage du poussoir alimentaire de petite taille.

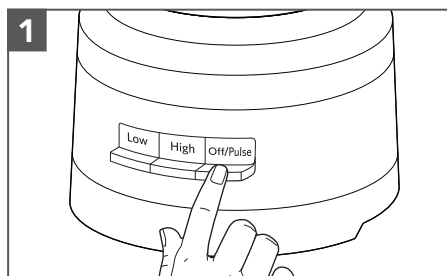


Poussoir à 3 pièces

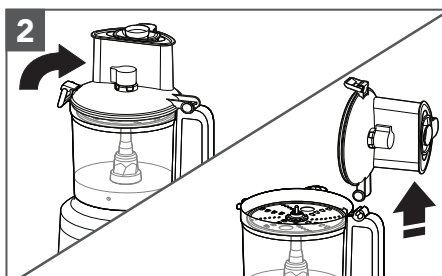


DÉMONTAGE DU PRODUIT

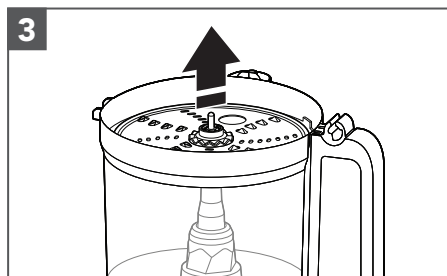
RETRAIT DE LA PRÉPARATION OBTENUE



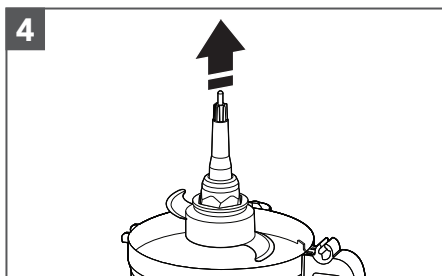
1
Éteindre robot culinaire : Appuyer sur le bouton Off/Pulse (arrêt/impulsion) et débrancher le robot culinaire avant de le démonter.



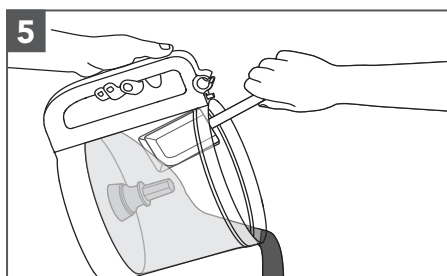
2
Lever le loquet du couvercle pour déverrouiller le couvercle du bol, puis soulever le couvercle pour le retirer.



3
Si le disque est utilisé, l'ôter avant de retirer le bol. Tenir le disque par les trous pour doigts et le soulever et le tirant tout droit vers le haut.



4
Retirer la tige d'entraînement et la lame multifonction, le cas échéant. La lame reste en place sur la tige d'entraînement lorsque cette dernière est retirée.



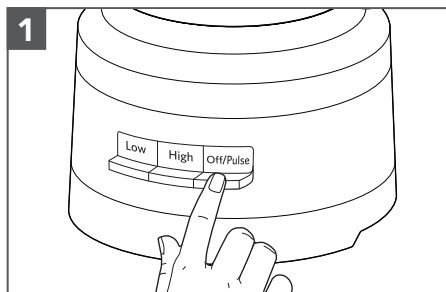
5
Soulever le bol de la base pour retirer les aliments du bol à l'aide d'une spatule.



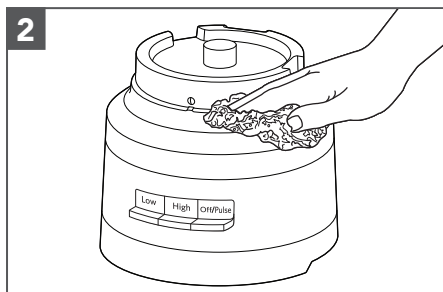


ENTRETIEN ET NETTOYAGE

IMPORTANT : Le bol sans BPA nécessite un soin particulier. Si l'on préfère utiliser un lave-vaisselle au lieu d'un nettoyage manuel, suivre les instructions ci-après.

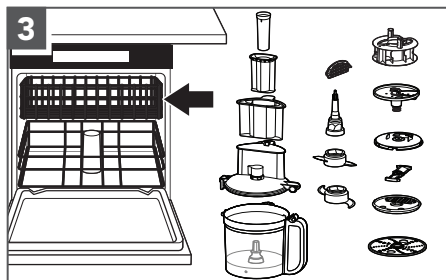


Appuyer sur le bouton Off/Pulse (arrêt/impulsion) et débrancher le robot culinaire avant de le nettoyer.

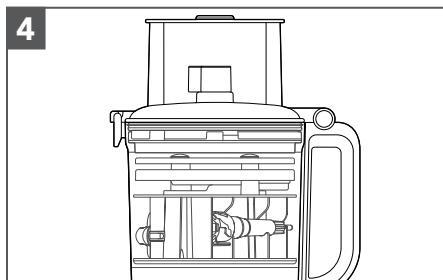


Essuyer la base et le cordon avec un chiffon mouillé à l'eau tiède et savonneuse. Bien sécher avec un linge doux. Ne pas utiliser de nettoyants abrasifs ou de tampons à récurer. Ne pas immerger la base dans de l'eau ou tout autre liquide.

FRANÇAIS



Toutes les pièces sont lavables au lave-vaisselle. Éviter de coucher le bol sur le côté. Bien sécher toutes les pièces après les avoir nettoyées. Utiliser des programmes de lavage au lave-vaisselle comme « Normal ». Éviter d'utiliser des programmes à température élevée.



Deux lames et trois disques ainsi que la tige d'entraînement peuvent être rangés à l'intérieur du bol en utilisant le boîtier de rangement lorsque le robot culinaire n'est pas utilisé. Enrouler le cordon d'alimentation autour du range-cordon au bas de la base, puis attacher la fiche en la fixant au boîtier.

REMARQUE : Lorsqu'on lave les pièces du robot culinaire à la main, éviter d'utiliser des détergents abrasifs ou des tampons à récurer. Ils pourraient rayer ou ternir le bol de préparation et son couvercle.





GUIDE DE DÉPANNAGE

Problème	Solution
En cas de dysfonctionnement ou de non fonctionnement du robot culinaire, vérifiez les points suivants :	Vérifier pour voir si le robot culinaire est branché sur une prise électrique reliée à la terre.
	S'assurer que le bol et le couvercle sont correctement alignés et bien verrouillés.
	L'utilisateur a-t-il appuyé sur plus d'un bouton en même temps?
	Débrancher le robot culinaire et le rebrancher dans la prise.
Le fusible dans le circuit du robot culinaire est-il en état de marche?	Si l'on possède un disjoncteur, s'assurer que le circuit est fermé.
Le robot culinaire nécessite peut-être de refroidir à température ambiante.	Si le témoin de vitesse s'éteint et que le témoin Off/Pulse clignote, attendre que le témoin Off/Pulse s'éteigne et réessayer. Le robot culinaire peut prendre entre 5 à 15 minutes pour se refroidir complètement.
Le moteur peut être verrouillé.	Si le témoin de vitesse reste allumé alors que le témoin Off/Pulse clignote, appuyer sur le bouton Off/Pulse pour réinitialiser le moteur.
Le robot culinaire ne râpe pas ou ne tranche pas correctement :	S'assurer que le côté du disque sur lequel la lame dépasse est orienté vers le haut sur la tige d'entraînement.
	S'assurer que les aliments peuvent être tranchés ou râpés.
	S'assurer que le disque est positionné dans la position de transformation des aliments (près du haut du bol) et non dans la position de rangement (niveau inférieur et à l'intérieur du bol).
Si le couvercle du robot culinaire ne se ferme pas lors de l'utilisation du disque :	S'assurer que le disque est correctement installé et positionné sur la tige d'entraînement.
Si le problème ne peut être résolu :	Voir les sections « Garantie et service ». Ne pas renvoyer le robot culinaire chez le détaillant. Les détaillants n'assurent aucun service après-vente.






GARANTIE ET SERVICE

GARANTIE DU ROBOT CULINAIRE KITCHENAID® POUR LES 50 ÉTATS DES ÉTATS-UNIS, LE DISTRICT FÉDÉRAL DE COLUMBIA, PORTO RICO ET LE CANADA

La présente garantie couvre l'acheteur et les propriétaires suivants du robot culinaire lorsqu'il est utilisé dans les 50 États des États-Unis, le district fédéral de Columbia, Porto Rico et le Canada.

FRANÇAIS

<p>Durée de la garantie :</p>	<p>Garantie complète d'un an à compter de la date d'achat.</p>
<p>KitchenAid prendra en charge les éléments suivants à votre choix :</p> 	<p>Le remplacement satisfaction totale du robot culinaire. Voir la page suivante pour plus de détails concernant la procédure à suivre pour un dépannage, ou appeler le numéro sans frais 1-800-541-6390 du Centre eXpérience à la clientèle.</p> <p>OU</p> <p>Le coût des pièces de rechange et de la main-d'œuvre pour corriger les vices de matériaux et de fabrication. L'intervention de dépannage doit être effectuée par un centre de dépannage KitchenAid agréé.</p>
<p>KitchenAid ne paiera pas pour :</p>	<ul style="list-style-type: none"> A. Les réparations lorsque le robot culinaire est utilisé à des fins autres que l'usage domestique unifamilial normal. B. Les dommages causés par : accident, altération, mauvaise utilisation ou abus. C. Tout frais d'expédition ou de manutention pour livrer le robot culinaire à un centre de réparation agréé. D. Les frais des pièces de rechange ou de main d'œuvre pour le robot culinaire lorsqu'il est utilisé à l'extérieur des 50 États des États-Unis, du district fédéral de Columbia, de Porto Rico et du Canada.
<p>CLAUSE D'EXONÉRATION DE RESPONSABILITÉ AU TITRE DES GARANTIES IMPLICITES; LIMITATION DES RECOURS</p> <p>LES GARANTIES IMPLICITES, Y COMPRIS DANS LA MESURE APPLICABLE LES GARANTIES DE QUALITÉ MARCHANDE OU D'APTITUDE À UN USAGE PARTICULIER, SONT EXCLUES DANS LA MESURE AUTORISÉE PAR LA LOI. TOUTE GARANTIE IMPLICITE POUVANT ÊTRE IMPOSÉE PAR LA LOI EST LIMITÉE À UN AN OU À LA PLUS COURTE PÉRIODE AUTORISÉE PAR LA LOI. CERTAINES JURIDICTIONS NE PERMETTENT PAS LA LIMITATION DE LA DURÉE DE VALIDITÉ DES GARANTIES IMPLICITES DE QUALITÉ MARCHANDE OU D'APTITUDE À UN USAGE PARTICULIER; PAR CONSÉQUENT, LES LIMITATIONS OU EXCLUSIONS STIPULÉES DANS LES PRÉSENTES PEUVENT NE PAS ÊTRE APPLICABLES.</p> <p>SI CE PRODUIT NE FONCTIONNE PAS TEL QUE GARANTI, LE SEUL ET UNIQUE RECOURS DU CLIENT CONSISTE À EN OBTENIR LA RÉPARATION OU LE REMPLACEMENT CONFORMÉMENT AUX TERMES DE LA PRÉSENTE GARANTIE LIMITÉE. KITCHENAID ET KITCHENAID CANADA DÉCLINENT TOUTE RESPONSABILITÉ AU TITRE DES DOMMAGES FORTUITS OU INDIRECTS. Cette garantie vous confère des droits juridiques spécifiques et vous pouvez également jouir d'autres droits qui peuvent varier d'un État à l'autre ou d'une province à l'autre.</p>	





GARANTIE ET SERVICE

GARANTIE DE REMPLACEMENT SANS DIFFICULTÉ POUR LES 50 ÉTATS DES ÉTATS-UNIS, LE DISTRICT FÉDÉRAL DE COLUMBIA ET PORTO RICO

Nous sommes tellement certains que la qualité de nos produits satisfait aux normes exigeantes de KitchenAid que, si le robot culinaire cesse de fonctionner au cours de la première année suivant son achat, KitchenAid livrera gratuitement à votre porte un appareil de remplacement identique ou comparable et prendra les dispositions nécessaires pour que le robot culinaire d'origine nous soit retourné. L'appareil de remplacement sera également couvert par notre garantie limitée d'un an.

Si le robot culinaire cesse de fonctionner durant la première année suivant son

acquisition, il suffit d'appeler notre Centre eXpérience clientèle au **1-800-541-6390**, du lundi au vendredi. Veuillez avoir l'original de votre reçu de vente à portée de main au moment de votre appel. Une preuve d'achat est indispensable pour que votre réclamation puisse être traitée. Fournissez votre adresse de livraison complète au représentant (aucune boîte postale).

Après avoir reçu le robot culinaire de rechange, utilisez le carton, les matériaux d'emballage et l'étiquette d'expédition prépayée pour emballer le robot culinaire d'origine et le renvoyer à KitchenAid.

GARANTIE DE REMPLACEMENT SANS DIFFICULTÉ POUR LE CANADA

Nous sommes tellement certains que la qualité de nos produits satisfait aux normes exigeantes de la marque KitchenAid que si le robot culinaire cesse de fonctionner au cours de la première année suivant son acquisition, nous remplacerons le robot culinaire par un appareil de remplacement identique ou comparable. L'appareil de remplacement sera également couvert par notre garantie limitée d'un an.

Si le robot culinaire cesse de fonctionner durant la première année suivant son acquisition, il suffit d'appeler

notre Centre eXpérience clientèle au **1-800-807-6777**, du lundi au vendredi. Veuillez avoir l'original de votre reçu de vente à portée de main au moment de votre appel. Une preuve d'achat est indispensable pour que votre réclamation puisse être traitée. Il vous faudra fournir votre adresse de livraison complète au représentant.

Après avoir reçu le robot culinaire de rechange, utilisez le carton, les matériaux d'emballage et l'étiquette d'expédition prépayée pour emballer le robot culinaire d'origine et le renvoyer à KitchenAid.

OBTENIR UN DÉPANNAGE UNE FOIS LA GARANTIE EXPIRÉE OU COMMANDER DES ACCESSOIRES ET DES PIÈCES DE RECHANGE

Aux États-Unis et à Porto Rico :

Pour des informations sur le service de dépannage ou pour commander des accessoires ou des pièces de rechange, composer le numéro sans frais **1 800 541-6390** ou écrire à :

Customer eXperience Center,
KitchenAid Small Appliances,
P.O. Box 218, St. Joseph, MI 49085-0218

En dehors des États-Unis et de Porto Rico :

Consulter le revendeur KitchenAid local ou le détaillant auprès duquel le robot culinaire a été acheté pour obtenir la marche à suivre pour un dépannage.

Pour des informations concernant toute intervention de dépannage au Canada :

Composer sans frais le **1 800 807-6777**.

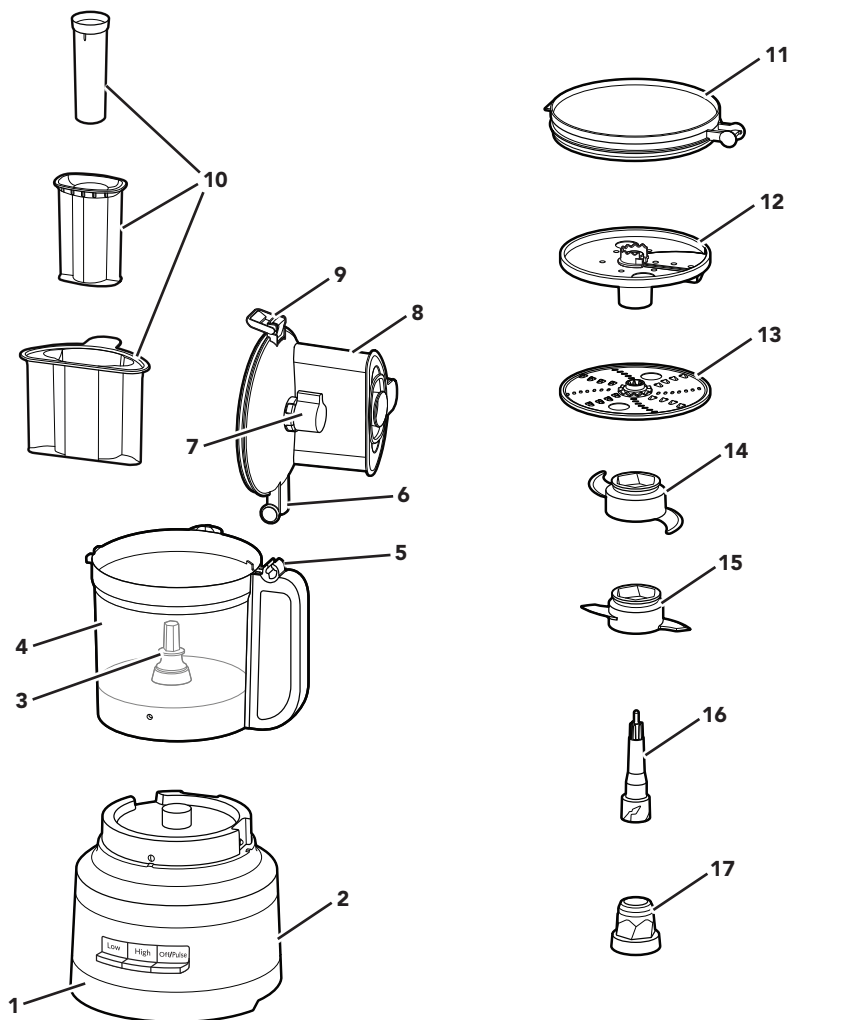
Pour des informations concernant toute intervention de dépannage au Mexique :

Composer sans frais le **01-800-0022-767**.





PIEZAS Y CARACTERÍSTICAS



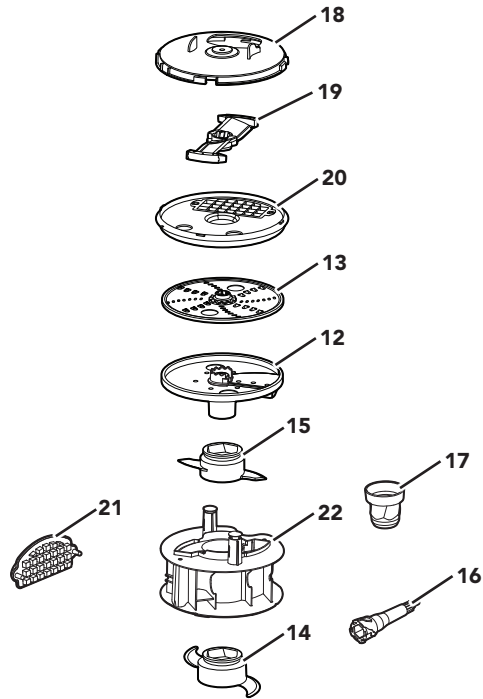
ESPAÑOL

- | | |
|---|--|
| <ul style="list-style-type: none"> 1 Base resistente 2 Cable eléctrico y lugar de almacenamiento del cable (no se muestran) 3 Eje de accionamiento 4 Tazón de trabajo de 13 tazas (3,1 l) 5 Bisagra de la manija 6 Bisagra de la tapa 7 Perilla de rebanado 8 Cubierta para tazón de trabajo con tubo de alimentación 3 en 1 9 Seguro de la tapa | <ul style="list-style-type: none"> 10 Empujador de alimentos 3 en 1 11 Tapa para almacenamiento en refrigerador 12 Disco rebanador regulable desde el exterior (de fino a grueso) 13 Disco reversible para rallado fino/medio 14 Cuchilla de acero inoxidable multiuso 15 Cuchilla para masa 16 Adaptador de accionamiento (superior) 17 Adaptador de accionamiento (inferior) |
|---|--|





PIEZAS Y CARACTERÍSTICAS



- | | |
|---|--|
| 18 Cubierta del juego para cortar en cubos | 21 Herramienta de limpieza del juego para cortar en cubos |
| 19 Cuchilla para cortar en cubos | 22 Contenedor de almacenamiento |
| 20 Base del juego para cortar en cubos | |

GUÍA PARA LOS ACCESORIOS

Accesorio	Artículos incluidos con el modelo		
	KFP1319	KFP1318	KFP1317
Rebanada ajustable externa	•	•	•
Contenedor de almacenamiento	•	•	•
Apertura de boca ancha	•	•	•
Tubo de alimentación 3 en 1	•	•	•
Cuchilla multiuso	•	•	•
Cuchilla para masa	•	•	
Rallado fino y medio	•	•	
Rallado fino			•
Tapa de almacenamiento	•		
Juego para cortar en cubos	•		





ESPAÑOL

SEGURIDAD DEL PRODUCTO

Su seguridad y la seguridad de los demás es muy importante.

Hemos incluido muchos mensajes importantes de seguridad en este manual y en su electrodoméstico. Lea y obedezca siempre todos los mensajes de seguridad.



Este es el símbolo de alerta de seguridad.

Este símbolo le llama la atención sobre peligros potenciales que pueden ocasionar la muerte o una lesión a usted y a los demás.

Todos los mensajes de seguridad irán a continuación del símbolo de advertencia de seguridad y de la palabra "PELIGRO" o "ADVERTENCIA".

Estas palabras significan:

! PELIGRO

Si no sigue las instrucciones de inmediato, usted puede morir o sufrir una lesión grave.

! ADVERTENCIA

Si no sigue las instrucciones, usted puede morir o sufrir una lesión grave.

Todos los mensajes de seguridad le dirán el peligro potencial, le dirán cómo reducir las posibilidades de sufrir una lesión y lo que puede suceder si no se siguen las instrucciones.

SALVAGUARDIAS IMPORTANTES

Al utilizar aparatos eléctricos, se deben seguir las precauciones básicas de seguridad, entre las que se incluyen las siguientes:

1. Lea todas las instrucciones.
2. Para protegerse contra el riesgo de choque eléctrico, no ponga el procesador de alimentos en agua ni en ningún otro líquido.
3. Este aparato no ha sido diseñado para que lo usen personas (incluidos niños) con capacidad física, sensorial o mental reducida, o con falta de experiencia y conocimiento, a menos que el uso se haga con supervisión o siguiendo las instrucciones sobre el uso del aparato junto a una persona responsable por su seguridad. Se debe supervisar atentamente a los niños cuando usen cualquier electrodoméstico o cuando estos se usen cerca de ellos. Los niños deben ser supervisados para garantizar que no jueguen con el aparato.
4. Apague el aparato, luego desenchúfelo del tomacorriente cuando no esté en uso, antes de armar o desarmar las piezas y antes de limpiarlo. Para desenchufarlo, tome el enchufe y retírelo del tomacorriente. Nunca tire del cable eléctrico.
5. Evite tocar las piezas que estén en movimiento.
6. No utilice ningún electrodoméstico cuyo cable o enchufe esté dañado, si el aparato no ha funcionado correctamente, o si se ha caído o dañado de alguna forma. Llame al número de teléfono de atención al cliente del fabricante para obtener información sobre revisión, reparación o ajuste del producto.
7. El uso de accesorios no recomendados ni vendidos por KitchenAid puede provocar un incendio, un choque eléctrico o lesiones.
8. No lo use al aire libre.
9. No deje que el cable cuelgue del borde de la mesa o del mostrador.





SEGURIDAD DEL PRODUCTO

10. Mantenga las manos y los utensilios lejos de las cuchillas o los discos mientras estos se mueven al picar los alimentos; esto reducirá el riesgo de provocar lesiones graves a las personas o daños al procesador de alimentos. Puede usarse un raspador, pero se debe utilizar solamente cuando el procesador de alimentos no esté funcionando.
11. Las cuchillas son filosas. Manipúlelas con cuidado.
12. Para reducir el riesgo de lesiones, nunca coloque la cuchilla de corte ni los discos en la base sin primero haber colocado el tazón en su lugar adecuadamente.
13. Asegúrese que la cubierta esté asegurada apropiadamente en su lugar antes de operar el aparato.
14. Nunca introduzca los alimentos con las manos. Siempre utilice el empujador de alimentos.
15. No intente anular el mecanismo de bloqueo de la cubierta.
16. No llene el tazón por encima de la línea de llenado máximo (o la capacidad nominal) para evitar que se provoquen lesiones por daños en la cubierta o en el tazón.

GUARDE ESTAS INSTRUCCIONES

Este producto está diseñado únicamente para uso doméstico.

REQUISITOS ELÉCTRICOS

Tensión: 120 V CA

Frecuencia: 60 Hz

NOTA: Este procesador de alimentos tiene un enchufe polarizado (una hoja es más ancha que la otra). Para reducir el riesgo de choque eléctrico, este enchufe encajará en un contacto polarizado solamente de una manera. Si el enchufe no encaja por completo en el tomacorriente, dé vuelta el enchufe. Si aun así no encaja, póngase en contacto con un electricista competente. No modifique el enchufe de ninguna manera.





GUÍA DE SELECCIÓN DE ACCESORIOS

Acción	Ajuste	Alimentos	Accesorio
Picar	Low (Bajo) o Pulse (Pulsador)	Queso Chocolate Frutas Hierbas frescas	Cuchilla de acero inoxidable multiuso
Picar o hacer puré	High (Alto) o Pulse (Pulsador)	Frutos secos Tofu Verduras	
Mezclar	Low (Bajo)	Salsa para pasta Pesto Salsa Salsas Masas	
Rebanar (delgado a grueso)	Low (Bajo)	Frutas (blandas) Papas Tomates Verduras (blandas)	Disco rebanador regulable externamente
	High (Alto)	Queso Chocolate Frutas (duras) Verduras (duras)	
Rallar (fino a medio)	Low (Bajo)	Papas Verduras (blandas)	Disco reversible para rallado fino/medio
	High (Alto)	Repollo Queso Chocolate Frutas (duras) Verduras (duras)	
Cortar en cubos	Low (Bajo)	Papas Verduras Frutas Queso	Juego para cortar en cubos
Amasar	Low (Bajo)	Levadura Masa	Cuchilla para masa

ESPAÑOL

PARA OBTENER INFORMACIÓN DETALLADA SOBRE EL USO DEL PROCESADOR DE ALIMENTOS:

Visite www.kitchenaid.com/quickstart para obtener instrucciones adicionales, que incluyen videos, recetas inspiradoras y consejos para usar su procesador de alimentos.



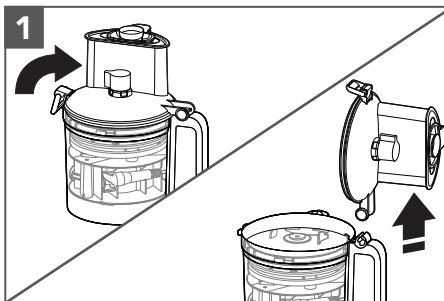


MONTAJE DEL PRODUCTO

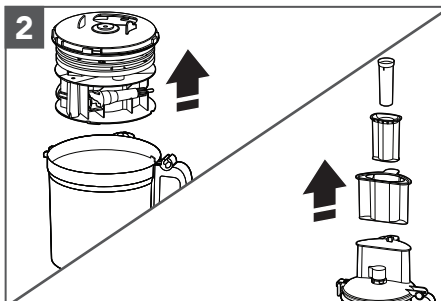
Antes del primer uso

Antes de usar el procesador de alimentos por primera vez, lave todas las piezas y los accesorios a mano o en la lavavajillas (vea la sección "Cuidado y limpieza").

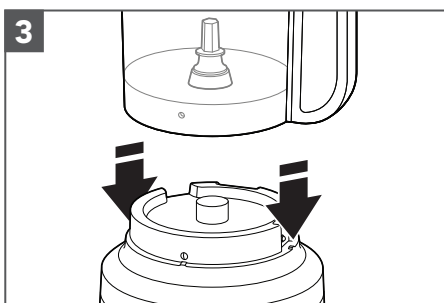
NOTA: Gracias a su diseño, todos los accesorios del procesador de alimentos se pueden guardar dentro del tazón de trabajo.



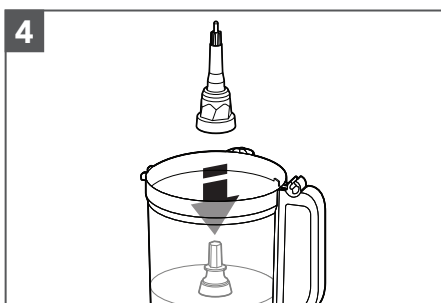
1 Levante el seguro de la tapa para destrabar la cubierta. Incline la cubierta del tazón de trabajo hacia atrás y levántela en línea recta para que la bisagra de la tapa salga de la bisagra de la manija.



2 Retire todas las piezas y accesorios del tazón de trabajo y quite el empujador de alimentos del tubo de alimentación.



3 Coloque el tazón de trabajo en la base; asegúrese de alinear la manija con el botón levantado en el lado derecho de la base. El tazón hará un clic cuando se trabe en su lugar y debe quedar apoyado en la base cuando esté alineado correctamente.



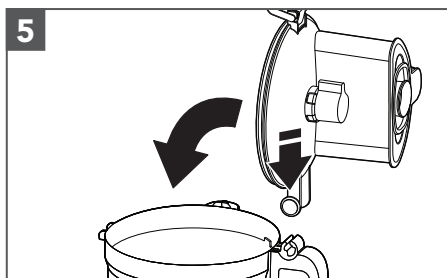
4 Coloque el adaptador de accionamiento en el tazón de trabajo bajándolo hasta el eje de accionamiento.



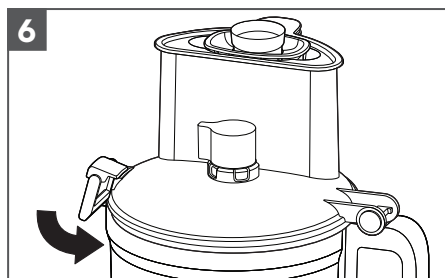


MONTAJE DEL PRODUCTO

NOTA: Para facilitar el montaje, instale la cuchilla o el disco deseado antes de colocar la cubierta del tazón de trabajo.



Para fijar la cubierta del tazón de trabajo, enganche la bisagra de la tapa en la bisagra de la manija del tazón y cierre la cubierta.

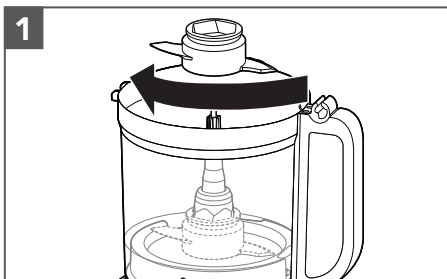


Una vez que la cubierta del tazón de trabajo esté cerrada, el seguro de la tapa se colocará en la posición de bloqueo.

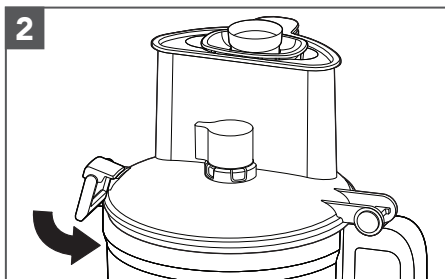
ESPAÑOL

NOTA: El procesador de alimentos no funcionará a menos que la cubierta del tazón de trabajo esté completamente cerrada, el empujador de alimentos grande esté en su lugar y el tazón esté asentado correctamente en la base.

INSTALACIÓN DE LA CUCHILLA MULTIUSO O DE LA CUCHILLA PARA MASA



Instale el adaptador de accionamiento bajo en el adaptador de accionamiento alto. Coloque la cuchilla en el adaptador de accionamiento. Rote la cuchilla hasta que se ajuste a la base del adaptador.



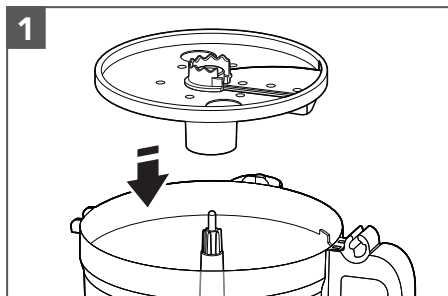
Instale la cubierta del tazón de trabajo; asegúrese de que el seguro de la tapa se encuentre en la posición de bloqueo.



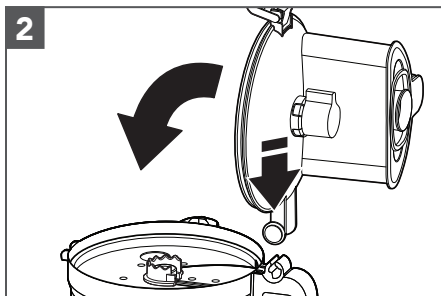


MONTAJE DEL PRODUCTO

INSTALACIÓN DEL DISCO REBANADOR REGULABLE DESDE EL EXTERIOR

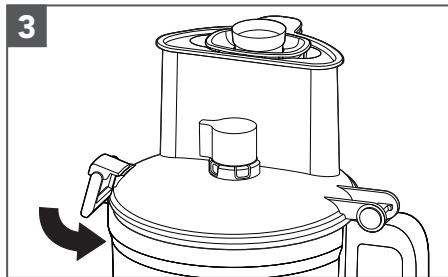


1
Sostenga el disco rebanador por los orificios para los dedos y bájelo hasta el adaptador de accionamiento.



2
Para fijar la cubierta del tazón de trabajo, enganche la bisagra de la tapa en la bisagra de la manija del tazón y cierre la cubierta.

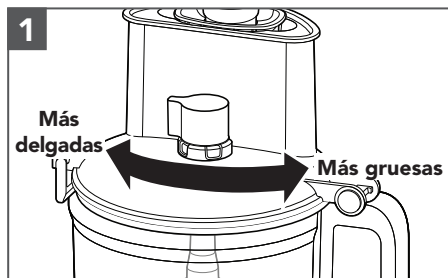
CONSEJO: Quizás necesite ajustar el adaptador de accionamiento con un leve giro del eje eléctrico hasta que se coloque en su lugar. Para una instalación más sencilla, asegúrese de que la perilla de ajuste esté en la posición "0".



3
Una vez que la cubierta del tazón de trabajo esté cerrada, el seguro de la tapa se colocará en la posición de bloqueo.

NOTA: El procesador de alimentos no funcionará a menos que la cubierta del tazón de trabajo esté completamente cerrada y que el tazón esté asentado correctamente en la base.

CÓMO REGULAR EL GROSOR DE LAS REBANADAS



1
Fije el grosor deseado moviendo la perilla hacia la izquierda para rebanadas más delgadas, o hacia la derecha para rebanadas más gruesas.

NOTA: La perilla funciona solamente con el disco rebanador regulable desde el exterior. El cambiar los ajustes de grosor con otros discos o cuchillas instalados no afectará el funcionamiento.

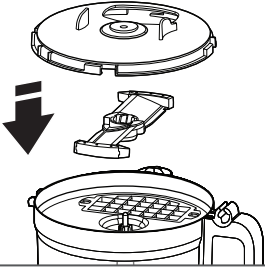




MONTAJE DEL PRODUCTO

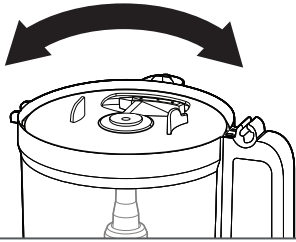
INSTALACIÓN DEL JUEGO PARA CORTAR EN CUBOS

1



Saque el tazón de trabajo de la base y coloque la base del juego para cortar en cubos, la cuchilla y la cubierta en el tazón de trabajo.

2



Alinee la cubierta con la toma de alimentación de boca ancha.

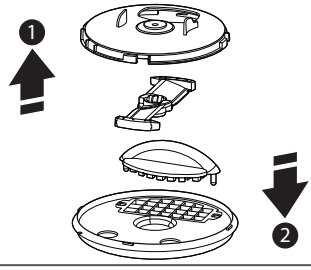
ESPAÑOL

3



Coloque la cubierta en el tazón de trabajo. Tome un tubo de alimentación pequeño y/o mediano. Inserte la comida que desee cortar.

4



Luego de cortar en cubos, quite la cubierta del tazón de trabajo, la cubierta del juego para cortar en cubos y la cuchilla para cortar en cubos. Luego, inserte la herramienta de limpieza del juego para cortar en cubos dentro de la base del juego e empujar cualquier resto de comida a través de la rejilla.





USO DEL PRODUCTO

! ADVERTENCIA



Peligro con las Cuchillas Giratorias

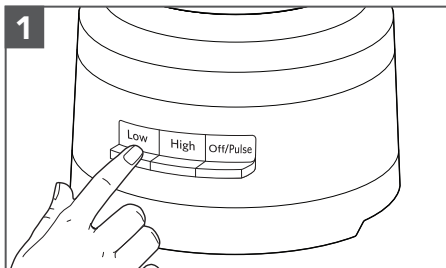
Siempre utilice el empujador de alimentos.

Mantenga los dedos fuera de las aberturas.

Mantenga fuera del alcance de los niños.

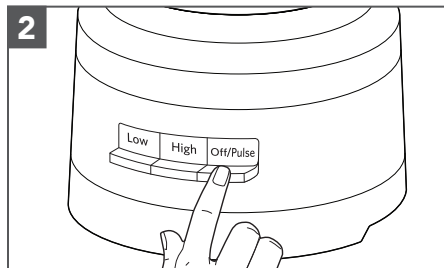
No seguir estas instrucciones puede ocasionar amputación o cortaduras.

Antes de usar el procesador de alimentos, asegúrese de que el tazón de trabajo, las cuchillas/disco y la cubierta del tazón estén correctamente ensamblados sobre la base (consulte la sección "Montaje del producto").



1
Para encenderlo, presione Low (Bajo) o High (Alto). El procesador de alimentos funcionará continuamente y la luz indicadora se iluminará.

Para apagarlo, presione Low (Bajo) o High (Alto) nuevamente o presione Off/Pulse (Apagar/Pulsador).

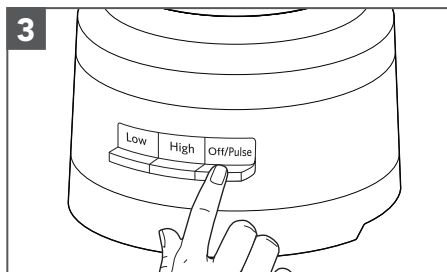


2
Si desea usar la función de pulsación: Presione Off/Pulse (Apagar/Pulsador) para ráfagas cortas o mantenga presionado el botón para ráfagas más largas. Esta función solo se ejecuta a velocidad alta. El procesador de alimentos se apagará cuando se deje de presionar el botón Off/Pulse (Apagar/Pulsador).

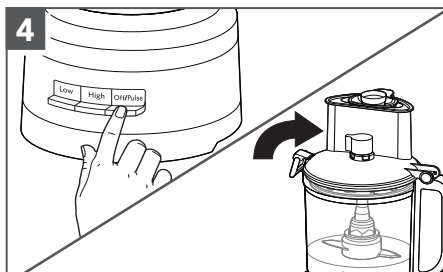




USO DEL PRODUCTO



3 Cuando termine, presione el botón Off/Pulse (Apagar/Pulsador). La luz indicadora se apagará y la cuchilla o el disco reducirá la velocidad hasta detenerse.



4 Espere hasta que la cuchilla o el disco se detenga por completo antes de retirar la cubierta del tazón de trabajo. Asegúrese de apagar el procesador de alimentos antes de retirar la cubierta del tazón de trabajo o de desenchufarlo.

ESPAÑOL

CÓMO USAR EL TUBO DE ALIMENTACIÓN 3 EN 1

El tubo de alimentación 3 en 1 incluye un empujador de alimentos de 3 piezas.

Use el tubo de alimentación completo y el empujador de alimentos grande para procesar alimentos grandes.

NOTA: La unidad no empezará a funcionar si la comida cargada en el tubo de alimentación grande sobrepasa la línea máxima.

Use el empujador de alimentos mediano en el tubo de alimentación para procesar alimentos más pequeños.

Use el empujador de alimentos pequeño para rebanar o rallar alimentos más pequeños y más finos.

Use el orificio para verter ingredientes en el empujador de alimentos pequeño para rociar lentamente aceite u otros ingredientes líquidos dentro del tazón de trabajo.

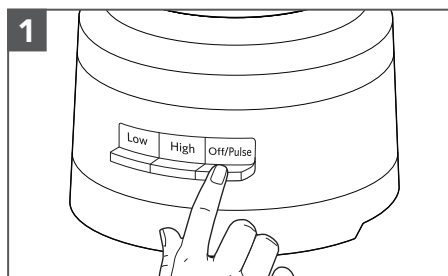


Empujador de alimentos de 3 piezas



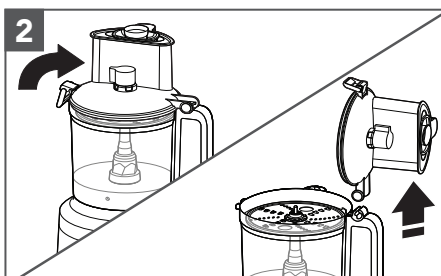
DESMONTAR EL PRODUCTO

EXTRACCIÓN DE LOS ALIMENTOS PROCESADOS



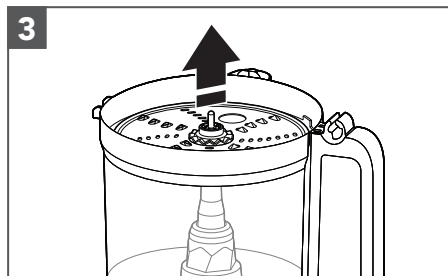
1

Debe apagar el procesador de alimentos en los siguientes casos:
Presione el botón Off/Pulse (Apagar/Pulsador) y, a continuación, desenchufe el procesador de alimentos antes de desmontarlo.



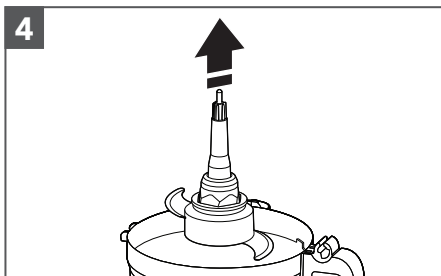
2

Levante el seguro de la tapa para destrabar la cubierta del tazón, luego levante la cubierta para quitarla.



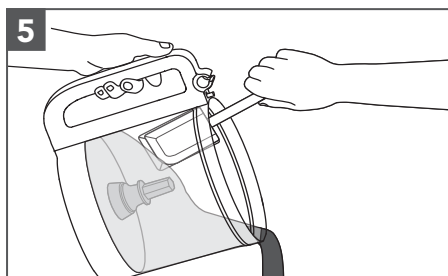
3

Si usó un disco, retírelo antes de retirar el tazón. Sostenga el disco por los 2 orificios para los dedos; levántelo en sentido recto.



4

Retire el adaptador de accionamiento y la cuchilla multiuso, si se usó. La cuchilla se mantendrá ajustada al adaptador de accionamiento cuando retire el adaptador.



5

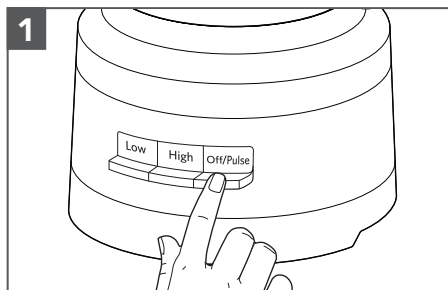
Retire el tazón de trabajo de la base para quitar los alimentos con una espátula.



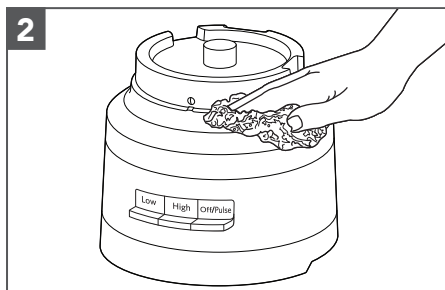


CUIDADO Y LIMPIEZA

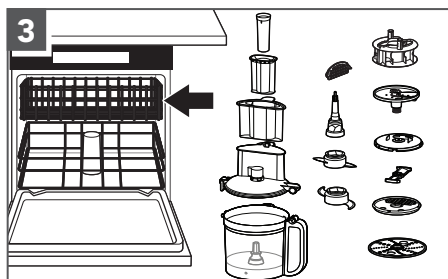
IMPORTANTE: El tazón sin BPA necesita un cuidado especial. Si prefiere lavarlo en lavavajillas en vez de lavarlo a mano, siga estas instrucciones.



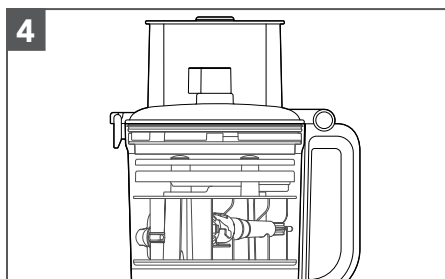
Presione el botón Off/Pulse (Apagar/Pulsador) y, a continuación, desenchufe el procesador de alimentos antes de limpiarlo.



Limpie la base y el cable con un paño humedecido con agua tibia. Seque todo completamente con un paño suave. No use esponjas ni limpiadores abrasivos. No sumerja la base en el agua ni en otros líquidos.



Todas las piezas pueden lavarse en la bandeja superior del lavavajillas. Evite colocar el tazón de costado. Seque minuciosamente todas las piezas después de lavarlas. Use ciclos suaves del lavavajillas, como el normal. Evite los ciclos a alta temperatura.



Puede almacenar hasta dos cuchillas, tres discos y el adaptador de accionamiento dentro del tazón de trabajo usando el contenedor de almacenamiento cuando el procesador de alimentos no esté en uso. Enrolle el cable eléctrico en el lugar de almacenamiento del cable que se encuentra en la parte inferior de la base. Luego, enganche el enchufe en la carcasa para fijarlo.

NOTA: Si va a lavar las piezas del procesador de alimentos a mano, evite usar esponjas para fregar o productos de limpieza abrasivos. Pueden rayar u opacar el tazón de trabajo y la cubierta.

ESPAÑOL





GUÍA DE SOLUCIÓN DE PROBLEMAS

Problema	Solución
Si el procesador de alimentos falla o no funciona, revise lo siguiente:	Verifique que el procesador de alimentos esté enchufado correctamente en un tomacorriente con conexión a tierra.
	Cerciórese de que el tazón y la tapa estén debidamente alineados y trabados en su lugar.
	¿Presionó más de un botón al mismo tiempo?
	Desenchufe el procesador de alimentos y después vuelva a enchufarlo en el tomacorriente.
¿Está funcionando adecuadamente el fusible en el circuito que va a al procesador de alimentos?	Si tiene una caja de disyuntores, asegúrese de que el circuito esté cerrado.
Puede que se necesite dejar enfriar el procesador de alimentos a temperatura ambiente en los siguientes casos:	Si la luz de velocidad se apaga y la luz de Off/Pulse (Apagar/Pulsador) destella, espere hasta que esta se apague e intente nuevamente. El procesador de alimentos puede tardar de 5 a 15 minutos en enfriarse completamente.
El motor puede estar bloqueado en los siguientes casos:	Si la luz de velocidad permanece encendida mientras la luz de Off/Pulse (Apagar/Pulsador) destella, presione el botón Off/Pulse (Apagar/Pulsador) para reiniciar el motor.
El procesador de alimentos no ralla o rebana adecuadamente:	Asegúrese de que el lado del disco con el filo en relieve esté mirando hacia arriba sobre el adaptador de accionamiento.
	Asegúrese de que los ingredientes sean apropiados para rebanar o rallar.
	Asegúrese de que el disco esté colocado en la posición de procesado (en la parte superior del tazón) y no en la posición de almacenamiento (en la parte inferior del tazón).
Si la cubierta del tazón de trabajo no cierra cuando se usa el disco:	Asegúrese de que el disco se haya instalado y colocado correctamente en el adaptador de accionamiento.
Si no se puede corregir el problema:	Consulte las secciones de "Garantía y servicio". No devuelva el procesador de alimentos a la tienda minorista. Los minoristas no proveen servicio técnico.





GARANTÍA Y SERVICIO

GARANTÍA DEL PROCESADOR DE ALIMENTOS KITCHENAID® PARA LOS 50 ESTADOS DE LOS ESTADOS UNIDOS, EL DISTRITO DE COLUMBIA, PUERTO RICO Y CANADÁ

Esta garantía se extiende al comprador y a cualquier propietario subsiguiente para el procesador de alimentos que se utilice en los 50 estados de los Estados Unidos, el Distrito de Columbia, Puerto Rico y Canadá.

Duración de la garantía:	Un año de garantía completa a partir de la fecha de compra.
KitchenAid pagará por lo siguiente, a su elección: 	Reemplazo sin dificultades de su procesador de alimentos. Consulte la página siguiente para obtener detalles acerca de cómo obtener servicio técnico o llame sin cargo al Centro para la experiencia del cliente al 1-800-541-6390 . O BIEN El costo de las piezas de repuesto y de la mano de obra de reparación para corregir los defectos de los materiales y de la mano de obra. El servicio deberá ser brindado por un centro de servicio autorizado por KitchenAid.
KitchenAid no pagará por:	A. Reparaciones cuando su procesador de alimentos haya sido utilizado para fines ajenos al uso doméstico normal de una sola familia. B. Daños causados por accidente, alteración, uso indebido o abuso. C. Cualquier gasto de envío o manipulación para llevar el procesador de alimentos a un centro de servicio autorizado. D. Piezas de repuesto o costos de mano de obra para procesadores de alimentos operados fuera de los 50 estados de los Estados Unidos, el Distrito de Columbia, Puerto Rico y Canadá.
<p>EXCLUSIÓN DE GARANTÍAS IMPLÍCITAS; LIMITACIÓN DE RECURSOS LAS GARANTÍAS IMPLÍCITAS, INCLUIDAS EN LA MEDIDA QUE CORRESPONDA LAS GARANTÍAS DE COMERCIABILIDAD O DE IDONEIDAD PARA UN PROPÓSITO PARTICULAR, QUEDAN EXCLUIDAS EN LA MEDIDA EN QUE ESTÉ PERMITIDO POR LEY. TODA GARANTÍA IMPLÍCITA QUE SEA IMPUESTA POR LEY SERÁ LIMITADA A UN AÑO O AL PERÍODO MÁS CORTO PERMITIDO POR LEY. ALGUNOS ESTADOS Y PROVINCIAS NO PERMITEN LAS LIMITACIONES O EXCLUSIONES ACERCA DE CUÁNTO DEBE DURAR UNA GARANTÍA IMPLÍCITA DE COMERCIABILIDAD O DE IDONEIDAD, DE MODO QUE LAS LIMITACIONES O EXCLUSIONES ARRIBA MENCIONADAS PUEDEN NO APLICARSE EN SU CASO.</p> <p>SI ESTE PRODUCTO NO FUNCIONA COMO SE HA GARANTIZADO, EL ÚNICO Y EXCLUSIVO RECURSO DEL CLIENTE SERÁ EL DE REPARARLO O REEMPLAZARLO SEGÚN LOS TÉRMINOS DE ESTA GARANTÍA LIMITADA. KITCHENAID Y KITCHENAID CANADA NO SE RESPONSABILIZARÁN POR DAÑOS INCIDENTALES O CONSECUENTES. Esta garantía le otorga derechos legales específicos y puede que también tenga otros derechos que varíen de un estado a otro o de una provincia a otra.</p>	

ESPAÑOL





GARANTÍA Y SERVICIO

GARANTÍA DE REEMPLAZO SIN DIFICULTADES: EN LOS 50 ESTADOS DE ESTADOS UNIDOS, EL DISTRITO DE COLUMBIA Y PUERTO RICO

Confiamos tanto en que la calidad de nuestros productos cumple con las exigentes normas de KitchenAid que, si el procesador de alimentos presentara alguna falla durante el primer año de compra, KitchenAid se encargará de entregar un reemplazo idéntico o comparable a su domicilio sin cargo y arreglará la devolución de su procesador de alimentos original a nosotros. La unidad de reemplazo también estará cubierta por nuestra garantía limitada de un año.

Si su procesador de alimentos fallara durante el primer año de compra, simplemente llame a nuestro Centro

para la experiencia del cliente al **1-800-541-6390**, de lunes a viernes. Tenga a mano el recibo de compra original cuando llame. Se requerirá el comprobante de compra para iniciar un proceso de reclamo. Proporcione al consultor su dirección de envío completa (no números de casillas de correo).

Cuando reciba el procesador de alimentos de reemplazo, use la caja, el material de embalaje y la etiqueta de envío prepago para embalar el procesador de alimentos original y devolverlo a KitchenAid.

GARANTÍA DE REEMPLAZO SIN DIFICULTADES: CANADÁ

Confiamos tanto en que la calidad de nuestros productos cumple con las exigentes normas de la marca KitchenAid que, si el procesador de alimentos presentara alguna falla durante el primer año de propiedad, reemplazaremos el procesador de alimentos por una idéntica o una parecida. La unidad de reemplazo también estará cubierta por nuestra garantía limitada de un año.

Si su procesador de alimentos fallara durante el primer año de compra, simplemente llame a nuestro Centro

para la experiencia del cliente al **1-800-807-6777**, de lunes a viernes. Tenga a mano el recibo de compra original cuando llame. Se requerirá el comprobante de compra para iniciar un proceso de reclamo. Proporcione al asesor su dirección de envío completa.

Cuando reciba el procesador de alimentos de reemplazo, use la caja, el material de embalaje y la etiqueta de envío prepago para embalar el procesador de alimentos original y devolverlo a KitchenAid.

CÓMO OBTENER SERVICIO TÉCNICO DESPUÉS DE QUE EXPIRE LA GARANTÍA O CÓMO PEDIR ACCESORIOS Y PIEZAS DE REPUESTO

En los Estados Unidos y Puerto Rico:

Para obtener información acerca del servicio técnico o para pedir accesorios o piezas de repuesto, llame sin costo al **1-800-541-6390** o escriba a:

Customer eXperience Center,
KitchenAid Small Appliances,
P.O. Box 218, St. Joseph, MI 49085-0218

Fuera de los Estados Unidos y Puerto Rico:

Consulte a su distribuidor local de KitchenAid o a la tienda donde compró el procesador de alimentos para obtener información sobre el servicio técnico.

Para obtener información acerca del servicio en Canadá:

Llame sin cargo al **1-800-807-6777**.

Para obtener información acerca del servicio en México:

Llame sin cargo al **01-800-0022-767**.



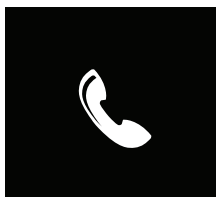








DISCOVER MORE. DÉCOUVREZ PLUS. DESCUBRA MÁS.
[KITCHENAID.COM/QUICKSTART](https://kitchenaid.com/quickstart)



PRODUCT QUESTIONS OR RETURNS

QUESTIONS SUR LE PRODUIT OU LES RETOURS

PREGUNTAS SOBRE EL PRODUCTO O DEVOLUCIONES

USA: 1.800.541.6390 | [KitchenAid.com](https://kitchenaid.com)

CANADA: 1.800.807.6777 | [KitchenAid.ca](https://kitchenaid.ca)

MEXICO: [KitchenAid.com.mx](https://kitchenaid.com.mx)

LATIN AMERICA: [KitchenAid-Latam.com](https://kitchenaid-latam.com)

KitchenAid[®]

®/™ ©2020 KitchenAid. All rights reserved. Used under license in Canada.

Tous droits réservés. Utilisé sous licence au Canada.

Todos los derechos reservados. Usada en Canadá bajo licencia.

